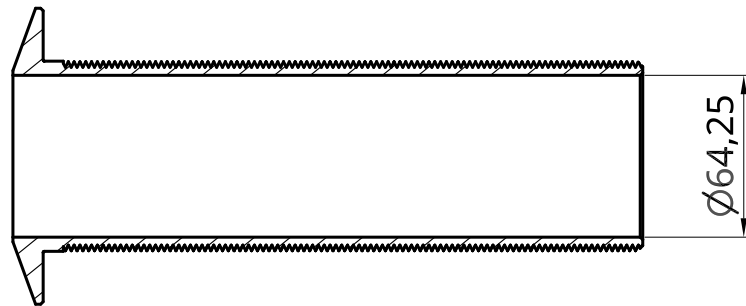
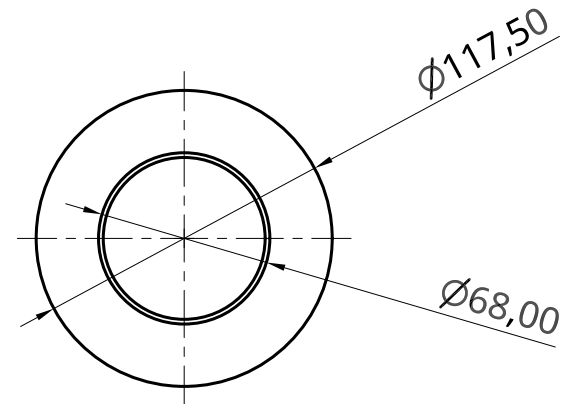
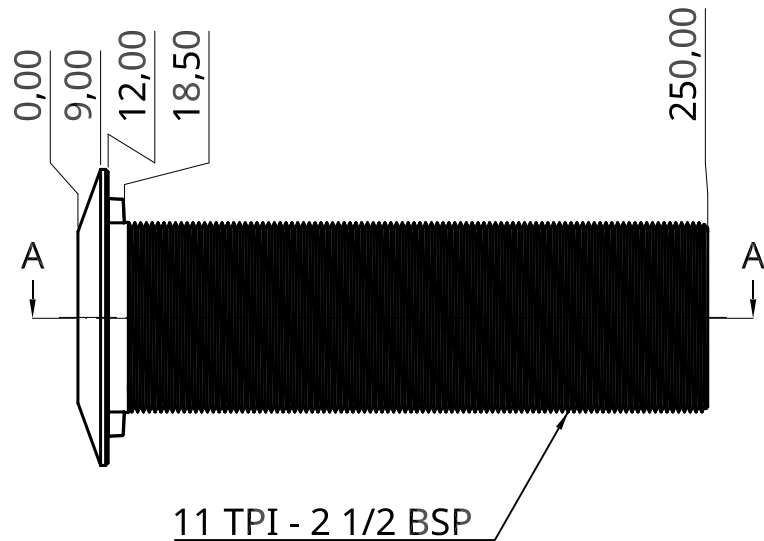
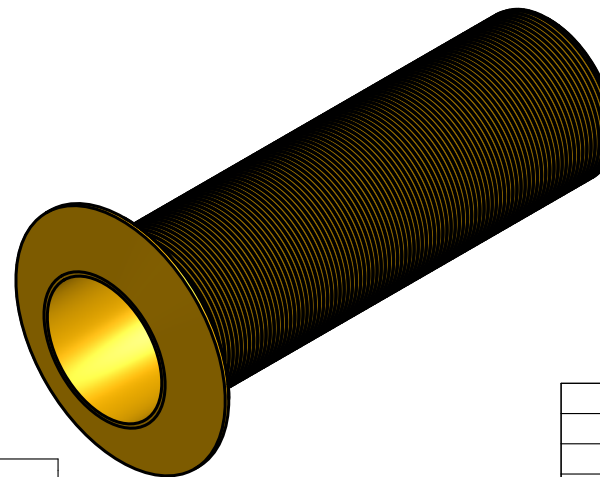


USED ON
31422



A - A



REMOVE ALL BURRS AND SHARP EDGES.(UNLESS OTHERWISE STATED). DO NOT SCALE.

THIS DOCUMENT IS DANIAMANT COPYRIGHT AND CONTAINS PROPRIETARY OWNED INTELLECTUAL PROPERTY RIGHTS AND CONFIDENTIAL DATA. ALL RIGHTS ARE STRICTLY RESERVED.THE INFORMATION MUST NOT BE USED EXCEPT FOR THE AGREED PURPOSE.UNAUTHORISED USE, REPRODUCTION, OR ISSUE TO ANY THIRD PARTY IS NOT PERMITTED WITHOUT THE PRIOR WRITTEN AUTHORITY OF DANIAMANT. THIS DOCUMENT IS TO BE RETURNED TO DANIAMANT WHEN THE AGREED PURPOSE IS FULFILLED.

THIS DOCUMENT IS UNCONTROLLED, UNLESS OTHERWISE STATED

MATERIAL : Brass

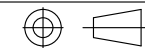
DIMENSIONS IN :- MM

TITLE.
3D skin fitting 10" x 2,5"

Daniamant
www.daniamant.com

FINISH :-

3RD. ANGLE PROJECTION
B.S. 8888



TOLERANCES DS/ISO 2768 - m

DRAWING No.
31449

DRAWN
Franck

RELEASED
Daniamant

APPROVED
Daniamant

SCALE
1:3

SHT. 1
OF
SHT. 1

A
4

0a			
ISSUE	CHG. No.	DATE	APPD