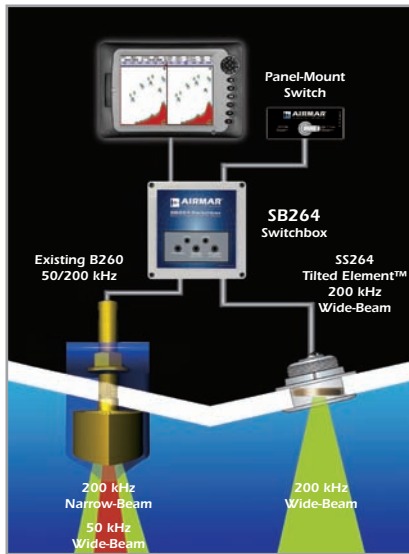


# SB264

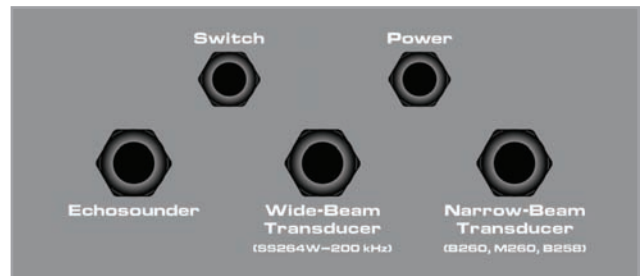
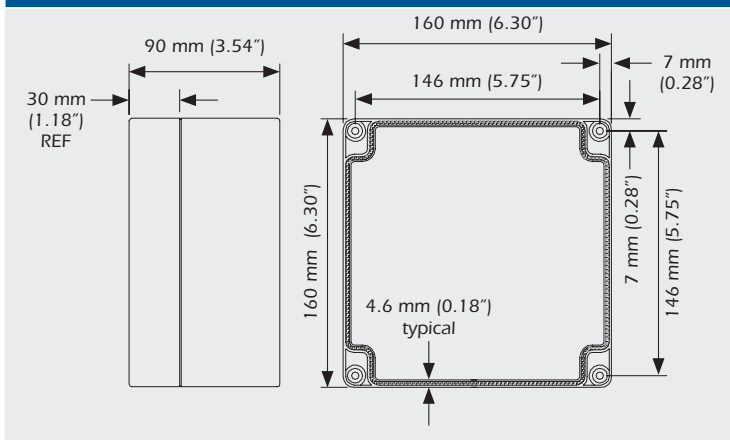


## 1 kW Switchbox

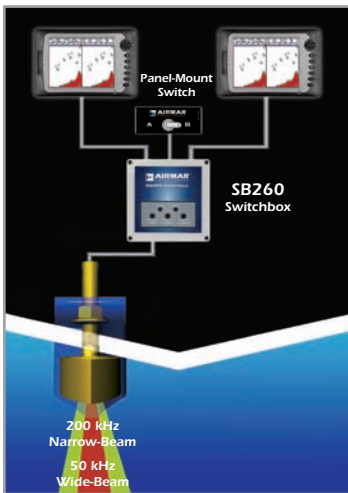
### Features

- Use when adding the SS264 200 kHz wide-beam with an existing 1 kW transducer
- Allows you to switch between narrow or wide-beam 200 kHz transducers
- Panel-mount waterproof switch
- For use with all 1 kW fishfinders
- Operating Voltage: 9 VDC to 30 VDC

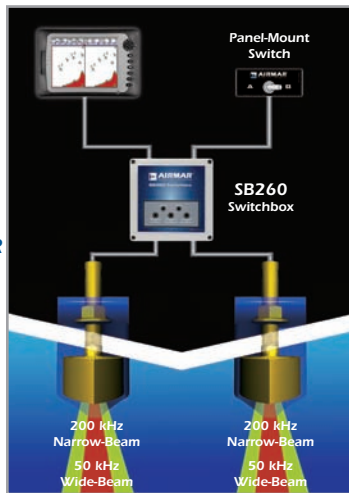
### DIMENSIONS



# SB260



OR



## 1 kW Switchbox

### Features

- Multi-functional switchbox:
  - Switches 2 transducers with 1 fishfinder or
  - Switches 2 fishfinders with 1 transducer
- Panel-mount waterproof switch
- For use with all 1 kW fishfinders
- Operating Voltage: 9 VDC to 30 VDC

### DIMENSIONS

