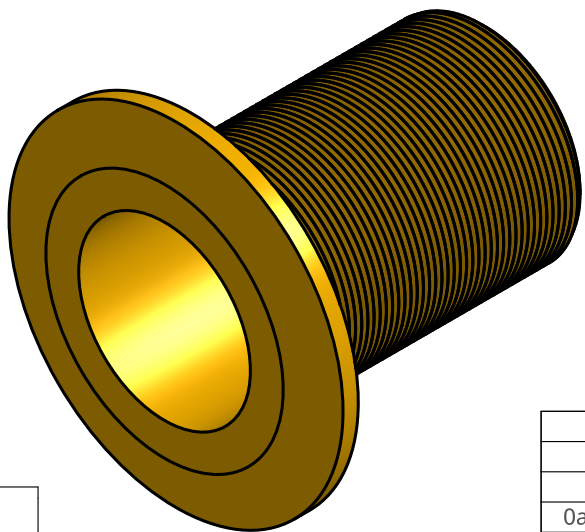
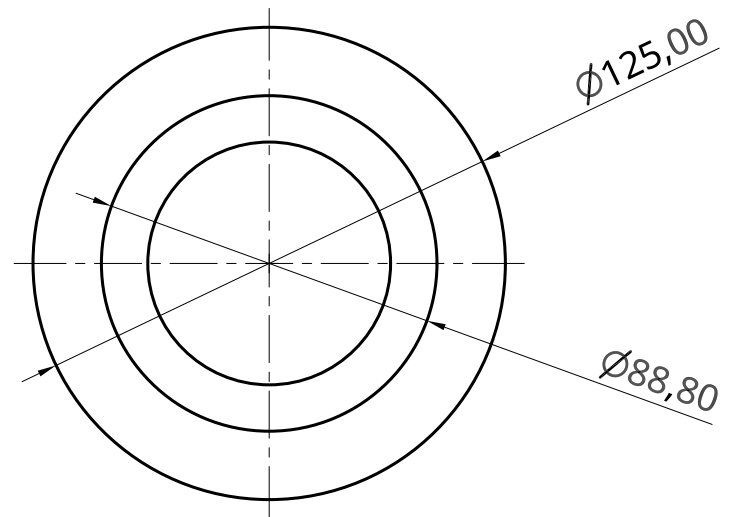
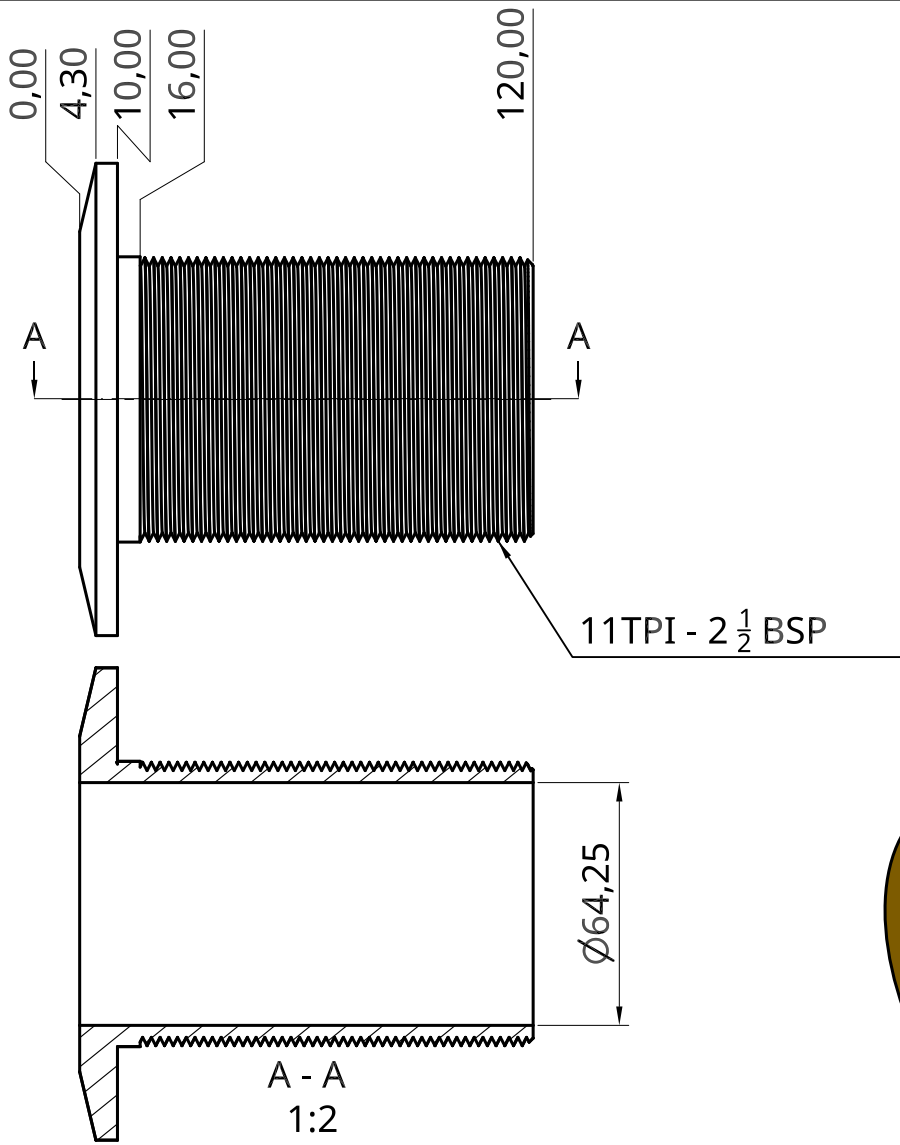



USED ON  
31421



REMOVE ALL BURRS AND SHARP EDGES.(UNLESS OTHERWISE STATED). DO NOT SCALE.

THIS DOCUMENT IS DANIAMANT COPYRIGHT AND CONTAINS PROPRIETARY OWNED INTELLECTUAL PROPERTY RIGHTS AND CONFIDENTIAL DATA. ALL RIGHTS ARE STRICTLY RESERVED.THE INFORMATION MUST NOT BE USED EXCEPT FOR THE AGREED PURPOSE.UNAUTHORISED USE, REPRODUCTION, OR ISSUE TO ANY THIRD PARTY IS NOT PERMITTED WITHOUT THE PRIOR WRITTEN AUTHORITY OF DANIAMANT. THIS DOCUMENT IS TO BE RETURNED TO DANIAMANT WHEN THE AGREED PURPOSE IS FULFILLED.

THIS DOCUMENT IS UNCONTROLLED, UNLESS OTHERWISE STATED

MATERIAL : Brass	DIMENSIONS IN :- MM
TITLE. 3D Skin fitting 5" x 2,5" Brass	 www.daniamant.com

ISSUE	CHG. No.	DATE	APPD
0a			
FINISH :-		DRAWN Franck	APPROVED Daniamant
3RD. ANGLE PROJECTION B.S. 8888		RELEASED Daniamant	SCALE 1:2
TOLERANCES DS/ISO 2768 - m		DRAWING No. 31448	SHT. 1 OF SHT. 1
			A 4