

1



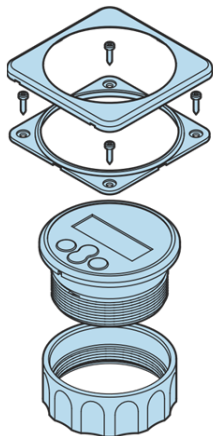
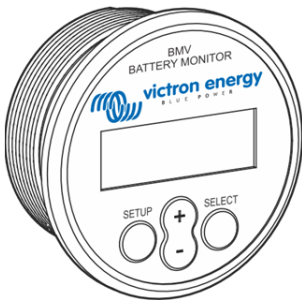
Battery safety warnings



- Working in the vicinity of a lead acid battery is dangerous. Batteries can generate explosive gases during operation. Never smoke or allow a spark or flame in the vicinity of a battery. Provide sufficient ventilation around the battery.
- Wear eye and clothing protection. Avoid touching eyes while working near batteries. Wash your hands when done.
- If battery acid contacts skin or clothing, wash them immediately with soap and water. If acid enters an eye, immediately flood the eye with running cold water for at least 15 minutes and get medical attention immediately.
- Be careful when using metal tools in the vicinity of batteries. Dropping a metal tool onto a battery might cause a short circuit and possibly an explosion.
- Remove personal metal items such as rings, bracelets, necklaces, and watches when working with a battery. A battery can produce a short circuit current high enough to melt objects such as rings, causing severe burns.
- Disconnect the negative pole of the battery before installation.

2

Battery monitor BMV contents



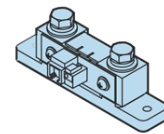
Front plate

4 screws

Attachment flange

BMV head unit

Attachment sleeve



BMV shunt



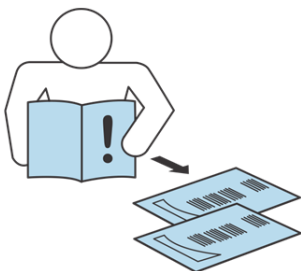
RJ12 cable
(10m)



Power cable
(2m)

3

Full manual available online



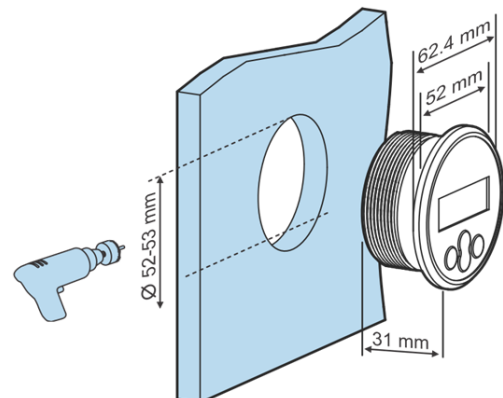
BMV700 product page



<https://ve3.nl/3r>

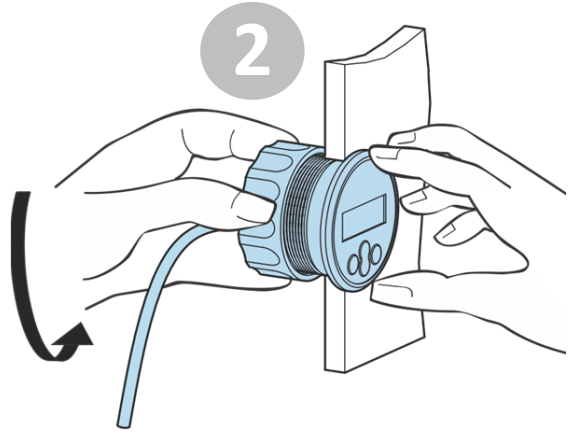
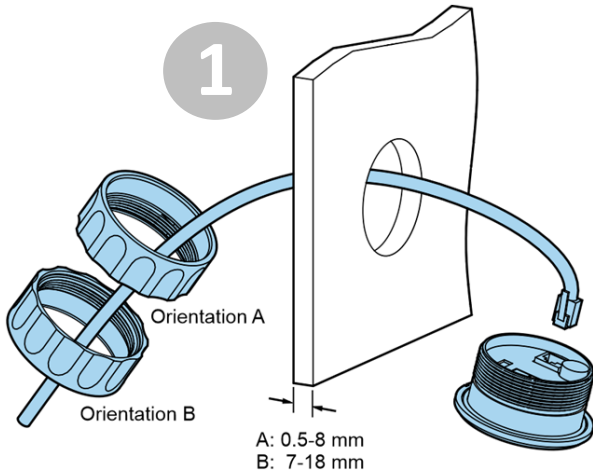
4

BMV and mounting dimensions



5A

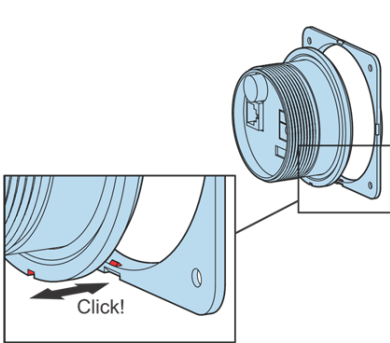
Mounting option A



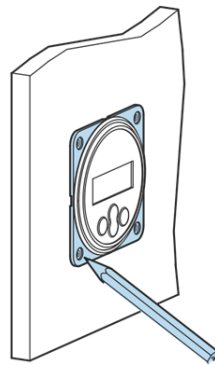
Option A

5B

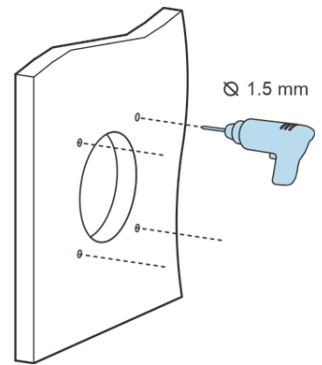
Mounting option B



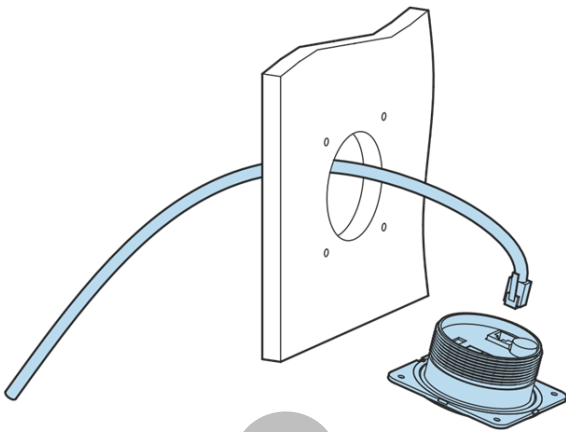
1



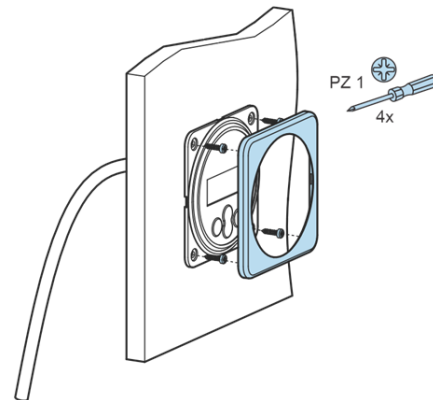
2



3



4

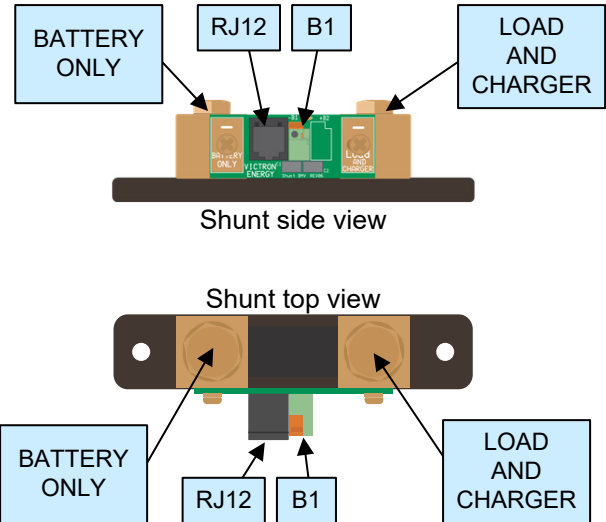
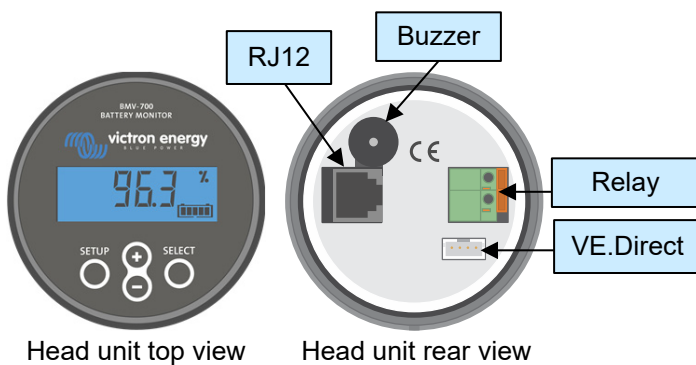


5

Option B

6

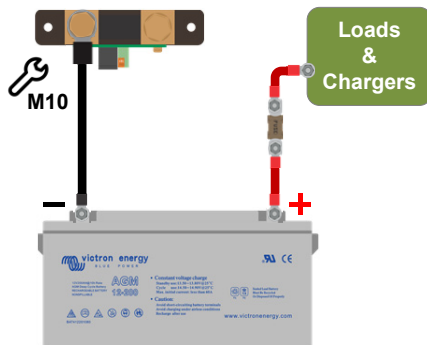
BMV connections



7

Battery negative connection

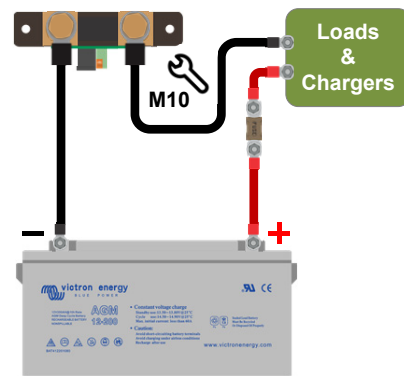
- Connect the negative battery terminal to the BATTERY ONLY side of the shunt
- The shunt is the first and only thing that should be connected to the battery negative



8

System negative connection

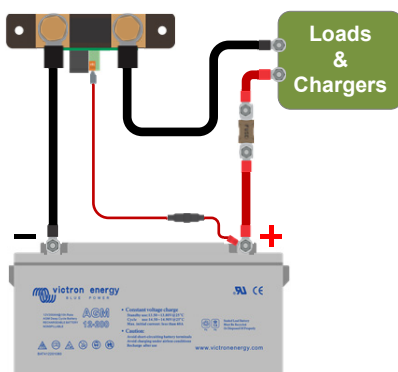
- Connect the negative DC electrical system terminal to the LOAD AND CHARGER side of the shunt



9

Power cable connection

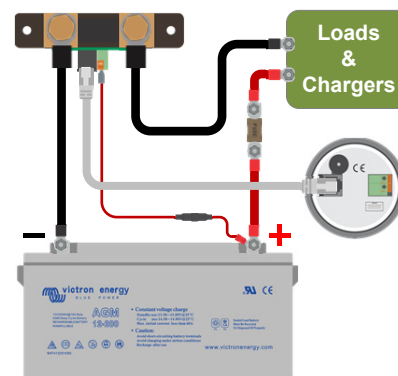
- Connect the power cable to the battery positive
- Push the other side of the cable into the B1 terminal on the shunt



10

Head unit connection

- Connect the RJ12 UTP cable between the shunt RJ12 terminal and the head unit RJ12 terminal



11

Make essential settings

Set the battery capacity

- Press any button
- Use + and – to enter value of first digit
- press select to go to next digit
- Repeat until all 4 digits have been entered
- Press select to store setting, you will hear beep
- Press setup to next setting

12

Make lithium settings

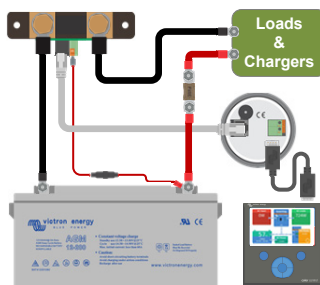
Additional settings if lithium batteries are used

- Set the charge efficiency at 99%
- Set the Peukert exponent at 1.05

13

Connecting to a GX monitoring device

- Connect the (not included) VE.Direct cable ASS03053xxx between the VE.Direct terminal of the BMV and the GX device



Victron GX product range



<https://ve3.nl/Venus-OS:start>

Optional

14

VictronConnect

- The VictronConnect App can be used for monitoring or for changing settings
- For more information on VictronConnect see the VictronConnect manual

VictronConnect manual



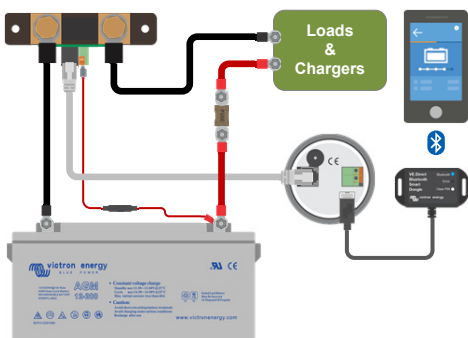
<https://ve3.nl/VictronConnect-manual>

Optional

15

VictronConnect via Bluetooth

- Connect the (not included) VE.Direct Bluetooth Smart dongle ASS030536011 to the VE.Direct terminal of the BMV

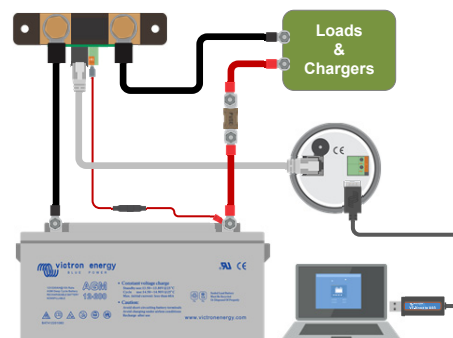


Optional

16

VictronConnect via USB

- Connect the (not included) VE.Direct to USB interface ASS030530010 between the VE.Direct terminal of the BMV and the USB port of a computer



Optional