

NOTES:

1. MATERIAL AND FINISH:
  - BODY, WASHER & RETAINING RING - BRASS, NICKEL PLATING
  - COUPLING NUT - ZINC DIECAST, NICKEL PLATING
  - CONTACT - BRASS, GOLD PLATING
  - INSULATOR - DELRIN, NATURAL
  - GASKET - RUBBER, RED
  - SPRING - BeCu, NICKEL PLATING
  - FERRULE - COPPER, NICKEL PLATING

2. ELECTRICAL:
  - A. IMPEDANCE: 50 OHM
  - B. DIELECTRIC WITHSTANDING VOLTAGE: 1500 VRMS, MIN.

3. MECHANICAL:
  - A. DURABILITY: 500 CYCLES MIN.
  - B. TEMPERATURE RANGE: -40° C TO +85° C

4. PACKAGING:
  - A. QUANTITY: SINGLE PACK
  - B. MARKING: BAG TO BE MARKED  
"AMPHENOL RF, 31-320-RFX , AND DATE CODE"

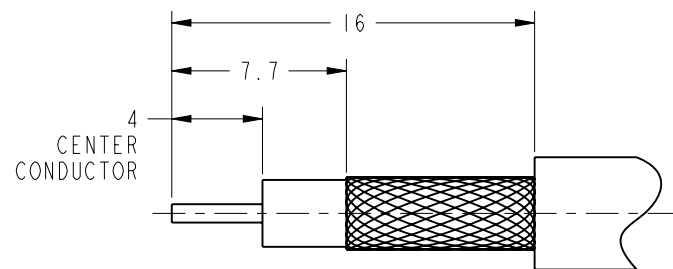
5. CABLE ASSEMBLY INSTRUCTIONS
  - A. TRIM CABLE AS SHOWN.
  - B. INSERT CABLE CENTER CONDUCTOR TO CONTACT. SOLDER OR CRIMP CONTACT WITH .068" HEX DIE.
  - C. INSERT CABLE INTO CONNECTOR WITH BRAID OVER KNURL UNTIL IT BOTTOMS.
  - D. CRIMP FERRULE WITH .213" HEX DIE.

6 SHOWS CABLE ENTRY DIMENSIONS .

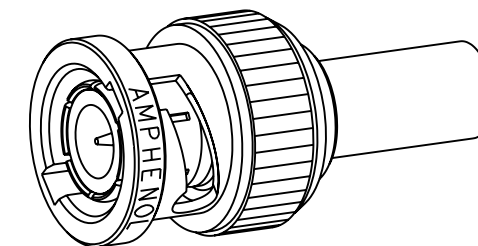
THIRD ANGLE PROJ.

REVISIONS

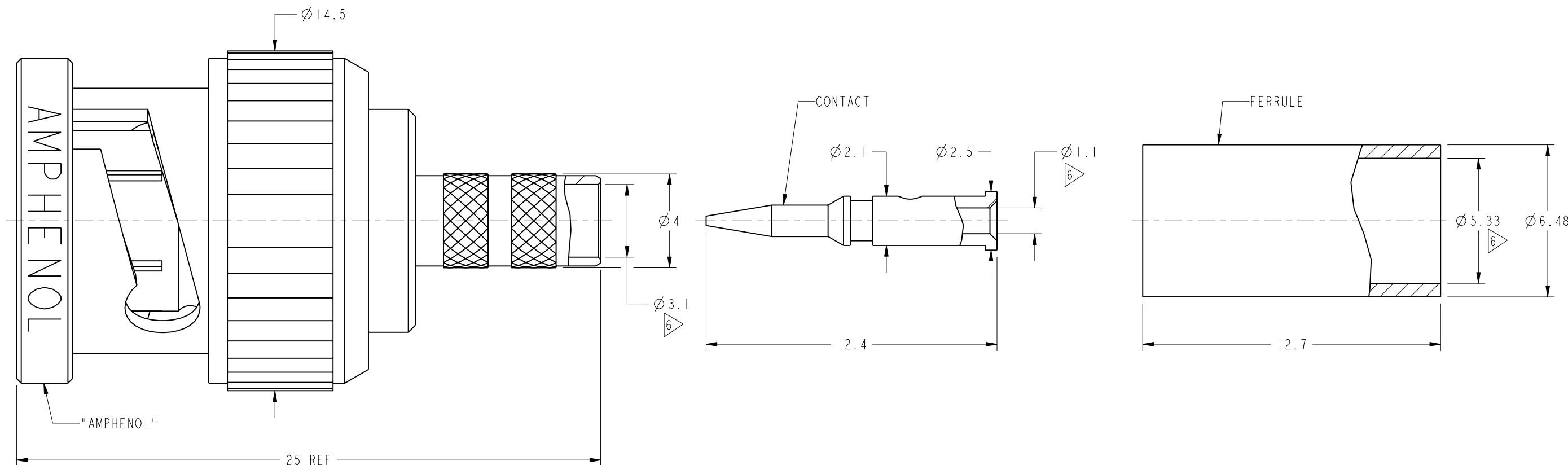
REV	DESCRIPTION	DATE	ECO	APPR
B	31-320-ND3G-58U-50 WAS KJ-B1121A1-ND3G-58U-50\N/A	12-May-99		
D	STAMP FOR ITEM 1 WAS CHANGED \RD-DM0805280IT	11-Jun-08		
E	SPRING WAS CHANGED	23-Dec-10	47967	SH
F	REDRAWN IN PRO-E & SYNCHED DRAWING	11-Nov-13	49780	SH
G	UPDATED ARFA CROSS, BODY + CONTACT/RD-DM16070102S7	11-Jul-16	01103	MM



**RECOMMENDED CABLE STRIPPING DIMENSIONS**



SCALE 2.000



**CUSTOMER OUTLINE DRAWING**  
ALL OTHER SHEETS ARE FOR INTERNAL USE ONLY

UNLESS OTHERWISE SPECIFIED, DIMENSIONS ARE IN METRIC AND TOLERANCES ARE: <0.5mm ±0.05mm    0.5 - 6mm ±0.1mm    6 - 30mm ±0.2mm    30 - 120mm ±0.3mm    ANGLES ±1°	MATERIAL	DRAWN	DATE	TITLE BNC CRIMP PLUG FOR RG-142A/U, 400/U CABLE, 50 OHM	Amphenol RF www.amphenolrf.com	
	SEE NOTES	STAR	11-Jul-16			
NOTICE - These drawings, specifications, or other data (1) are, and remain the property of Amphenol corp. (2) must be returned upon request; and (3) are confidential and not to be disclosed to any person other than those to whom they are given by Amphenol Corp. the furnishing of these drawings, specifications, or other data by Amphenol Corp., or to any other person to anyone for any purpose is not to be regarded by implication or otherwise in any manner licensing, granting rights to permitting such holder or any other person to manufacture, use or sell any product, process or design, patented or otherwise, that may in any way be related to or disclosed by said drawings, specifications, or other data.	REFERENCE	ENGINEER	DATE	SCALE: 5.5:1.0	DRAWING NO. B1121A1-109-ND3G-50 ITEM NO. 011121APQ02ND5F	
	EAR #	S.L.I	21-Dec-10	SHEET 2 OF 2		
	CONFIGURATION LEVEL: In Work	APPROVED	DATE	11-Jul-16	DWG SIZE	REV
FINISH				B	G	PART NO. 31-320-RFX

# Mouser Electronics

Authorized Distributor

Click to View Pricing, Inventory, Delivery & Lifecycle Information:

[Amphenol:](#)

[031-320-RFX](#)