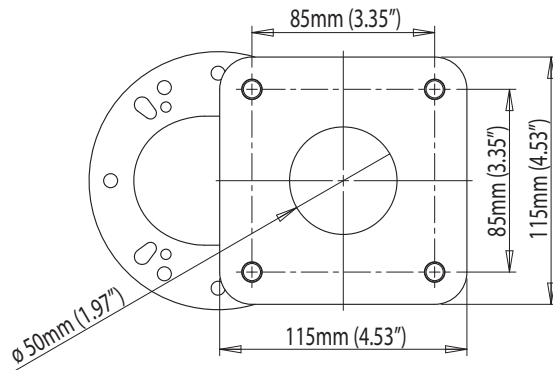
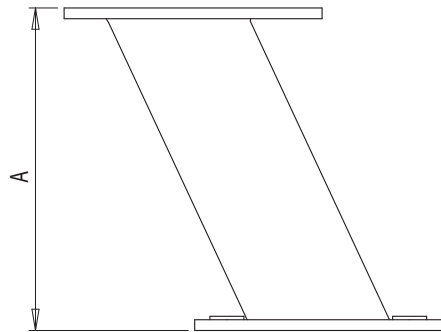
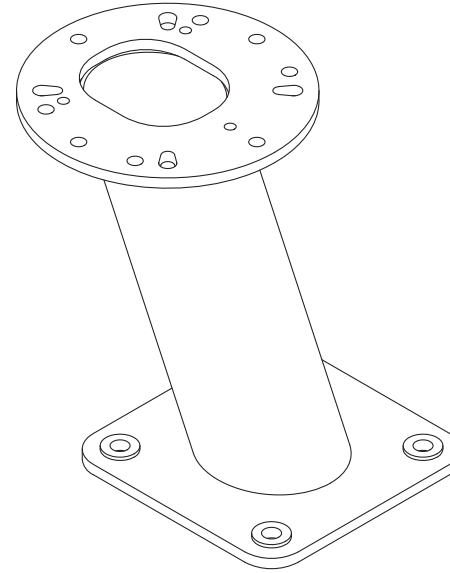
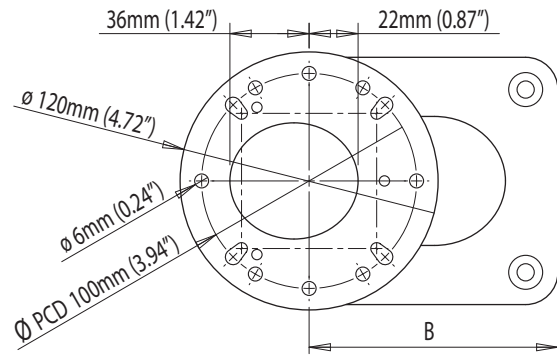


CAM-PT-150/300

For help & information
 email: sales@scanstrut.com
 tel: +44 (0) 1392 531280



	A mm / inches	B mm / inches
CAM-PT-150	150/5.9	116/4.6
CAM-PT-300	300/11.8	480/18.9



SCANSTRUT.