



VeeConnect

DC Power Management System

A 12 CHANNEL DC SWITCHING MODULE WITH A REMOTE TOUCH SCREEN CONSOLE FOR STREAMLINED CONTROL.

The VeeConnect has a robust solid state design based on an aerospace pedigree, and efficient builder configuration, giving reduced system and installation costs.

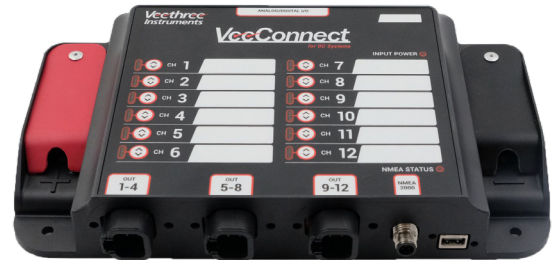
The module is both programmable and operable via the T5 or T7i CAN Displays, each are a slimline sunlight readable PCAP touch screen display (5" and 7" respectively), delivering modern tablet like aesthetics in an IP67 rated housing. Additional consoles can be added to operate the module from multiple locations.

Each of the 12 channels are configurable including options such as fuse rating, analog or digital input, switch type (slider, on/off, burst), selecting from predefined icons and switch descriptions.

Key Features

ECBU:

- IP67 All Around Protection & Robust Solid Design
- All 12 Channels Capable of 20 Amps Each
- All Channels Receive Analog or Digital Input
- 4 Channels Capable of Motor Reversing
- 9 Channels Support PWM for Lighting
- System Monitoring & Reporting of Current Draw, Voltage, Runtime & Fault Condition



Display:

- IP67 All Around Protection
- Robust Solid State Design
- 2 x CANbus & 1 x RS485 Connection
- 1 x Analog, 1 x Digital Input
- 1 x Relay Output
- 1 x Ethernet & 1 x Video Connection
- J1939/NMEA 2000/Tier 4 Compatible
- Available in 5" or 7" screen sizes



Reliability

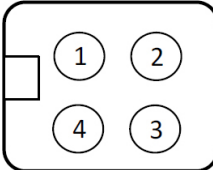
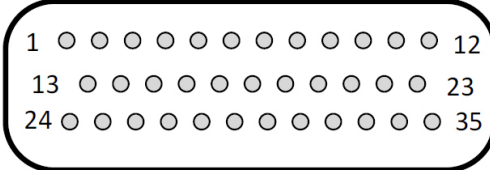
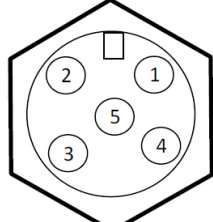
Veethree Electronics continues to successfully deploy products in an enormously diverse range of applications where total reliability is vital.

Our products, custom or standard range, are backed up by a dedicated central team of specialist engineers able to rapidly adapt any product for a specific application and to provide an unrivalled level of customer support.

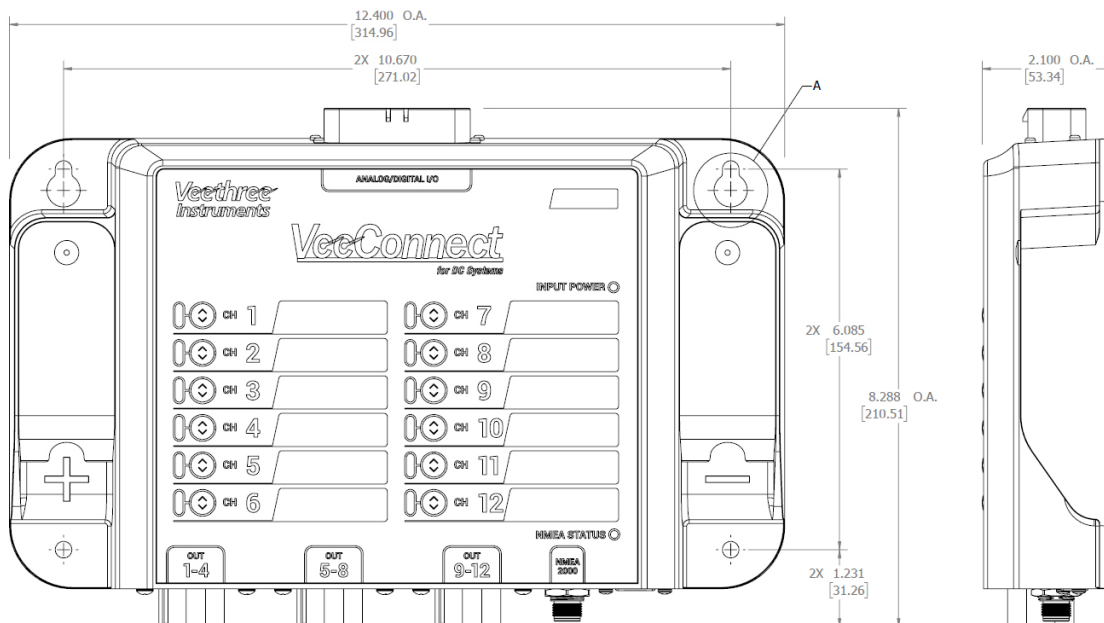
The VeeConnect Module comes from an aerospace pedigree with millions of flight hours is also supported with a Limited 4 Year Manufacturer warranty against manufacturing failure or material defects.

	T5/T7i Displays	VeeConnect ECBU
CPU	Freescale i.MX 6 up to 1.Ghz and additional GPU	N/A
Flash Memory	256 MB	N/A
SDRAM	256 MB NAND	N/A
Display	PCAP LCD 5"/PCAP LCD 7"	N/A
Resolution	800 (H) x 480 (V) WVGA	N/A
Active Area	4.25" (H) x 2.55" (V)/6" (H) x 3.6" (V)	N/A
Viewing Angle	70 degrees left/right/down/up	N/A
Contrast Ratio	700:1	N/A
Brightness	1000 NIT (cd/m2) Full sunlight readable/800 NIT	N/A
Power Requirements	8V to 32V DC	5V to 32V DC
Sounder	Internal Buzzer	N/A
Connection	5 x M12 Connectors	See Next Page
Communications	1 x RS232, 2 x CAN Bus 2.0B (1 isolated)	1 x CAN Bus 2.0B (isolated)
	1 x USB 2.0, 1 x Ethernet	1 x USB 2.0, 12 x Analog/Digital IO
Operating Temperature	-20 to +70/-30 to +80 Degrees Celsius	-30 to +80 Degrees Celsius
Storage Temperature	-40 to +80/-30 to +80 Degrees Celsius	-40 to +85 Degrees Celsius
Degree of Protection	IP67	IP67
Case Material	ABS	Ryton R7 PPS
Case Color	Anthracite Grey	Black
Dimensions	5.24" (W) x 3.7" (H) x .43" forward & 1.89" rear (D) / 7.13" (W) x 4.88" (H) Front x 2.22" rear (D) & .44" forward	12.4" (W) x 8.288" (H) x 2.1" (D)
Part Numbers		
71569D	Electronic Circuit Breaker Unit (ECBU)	
71549	T5 5" Display	
71431	T7i 7" Display	
71870E	ECBU Kit - Includes ECBU, ampseal 35 pin connector with ign. jumper, ECBU mounting hardware kit, ECBU battery connection hardware kit, Deutsch DTP 4 pin connector kit, VeeConnect Quick Start Guide, and ECBU mounting template	
71871E	T5 5" Display Kit - Includes T5 5" switch display, power harness, VeeConnect Quick Start Guide, and T5 switching display mounting template	
71872E	T7i 7" Display Kit - Includes T7i 7" switch display, power harness, VeeConnect Quick Start Guide, and T7i switching display mounting template	
Optional Installation Items	71685 - Ampseal 770520-1 Connector Socket; 71686 - Ampseal 770678-1 Sealing Plug; 71796 - Device-Net Cable Assy, M/F, 1M; 71797 - Device-Net Cable Assy, M/F, 2M; 71798 - Device-Net Terminator Male; 71799 - Device-Net Terminator Female, 71800 Buttsplice Connector 16-14 AWG; 71801 - Wire with Ampseal Contact 12"; 71802 - Harness DTP 4-Way w/wires 12"; 69356 - NMEA/ Device-Net Tee connector	

ECU Connectors

Connector	Pinout (Front View)	Mating Connector Part Number
BREAKER OUTPUTS		TE CONNECTIVITY PN DTP06-4S-E004
GPIO INTERFACE		TE CONNECTIVITY PN 776164-1
NMEA 2000		NEMA 2000 COMPLIANT

ECU Dimensions



T5 Connectors

CAN 1

1	No Connection
2	Positive DC Supply
3	Ground
4	CAN Data H
5	CAN Data L

CAN 2

1	No Connection
2	Isolated Volts Positive
3	Isolated Volts Negative
4	Isolated CAN Data H
5	Isolated CAN Data L

Video - Discontinued

1	Unused
2	Unused
3	Unused
4	Unused
5	Unused

External USB IO

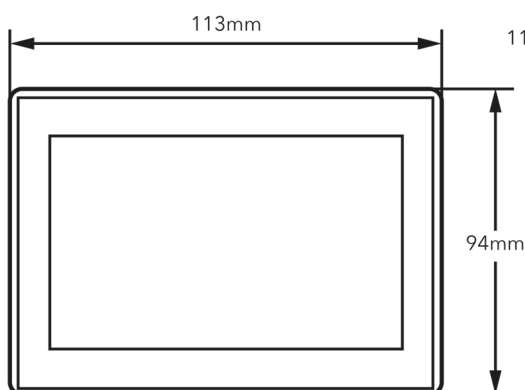
1	USB Volts Positive
2	USB Data Negative (DM)
3	USB Data Positive (DP)
4	No Connection
5	USB Volts Negative
6	RS422/485 Tx+
7	RS422/485 Tx-
8	RS422/485 Rx+
9	RS422/485 Rx-
10	Digital Input
11	Analog Input
12	Relay Output

Ethernet

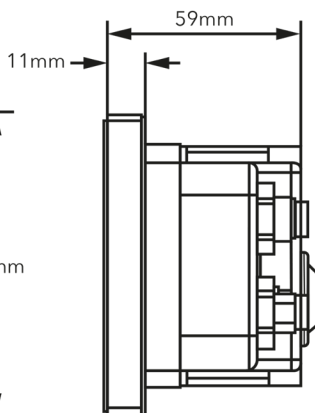
1	White/Orange +TK
2	White/Green +RX
3	Orange - TX
4	Green

T5 Dimensions

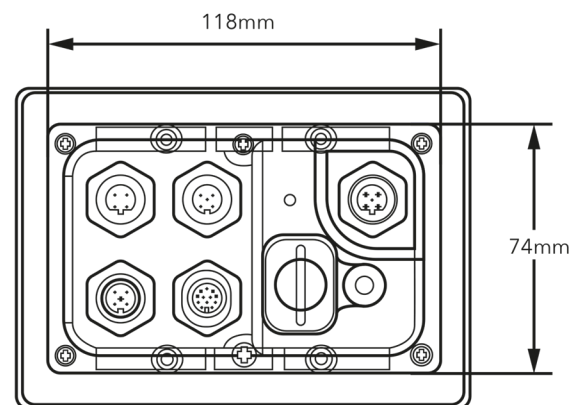
FRONT VIEW



SIDE VIEW



REAR VIEW



T7i Connectors

CAN 1

1	No Connection
2	Positive DC Supply
3	Ground
4	CAN Data H
5	CAN Data L

CAN 2

1	No Connection
2	Isolated Volts Positive
3	Isolated Volts Negative
4	Isolated CAN Data H
5	Isolated CAN Data L

Video - Discontinued

1	Unused
2	Unused
3	Unused
4	Unused
5	Unused

External USB IO

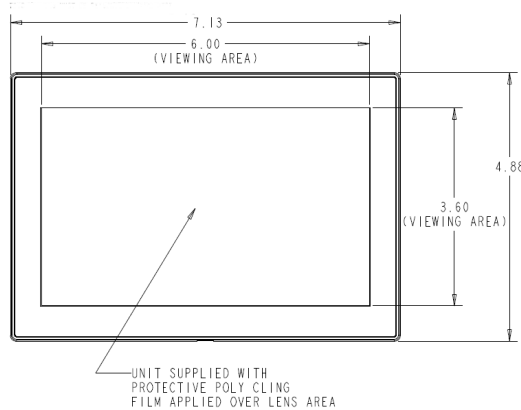
1	USB Volts Positive
2	USB Data Negative (DM)
3	USB Data Positive (DP)
4	No Connection
5	USB Volts Negative
6	RS422/485 Tx+
7	RS422/485 Tx-
8	RS422/485 Rx+
9	RS422/485 Rx-
10	Digital Input
11	Analog Input
12	Relay Output

Ethernet

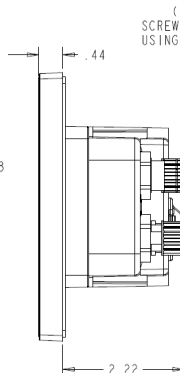
1	White/Orange +TK
2	White/Green +RX
3	Orange - TX
4	Green

T7i Dimensions

FRONT VIEW



SIDE VIEW



REAR VIEW

