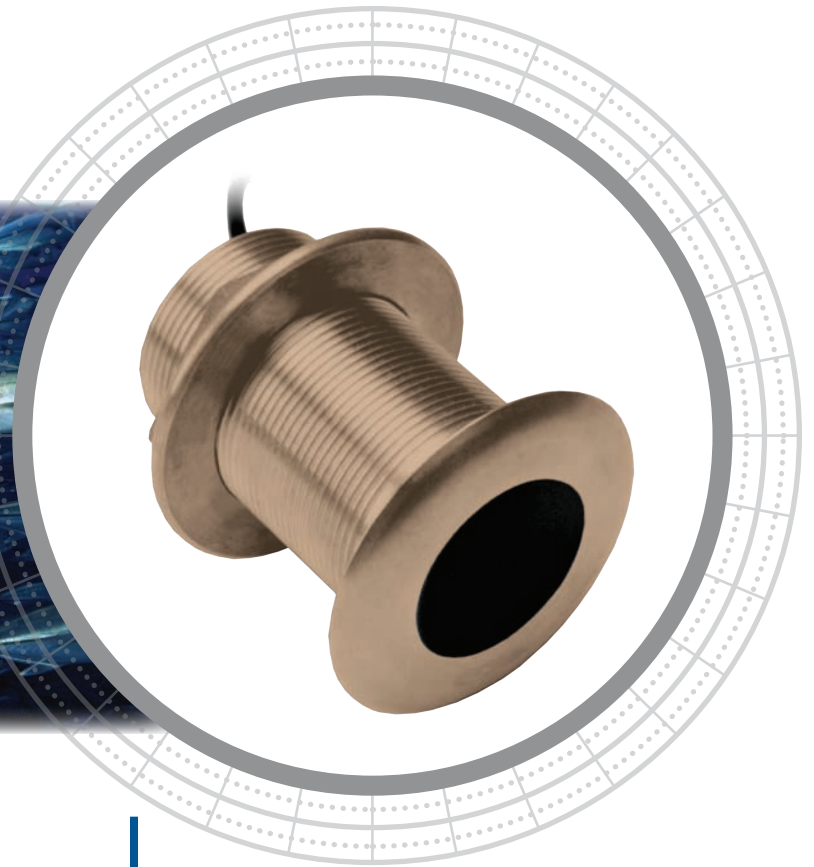


B22



Low-Profile Standard

The B22 and P19 have been the standard in low-profile models for many years. Their large, sensitive ceramics allow deep echosounding up to 206 m (700'). These nearly flush units minimize drag as only 5 mm (2/10") of the housing extends outside of the hull.

Thru-Hull Low-Profile **375 W**

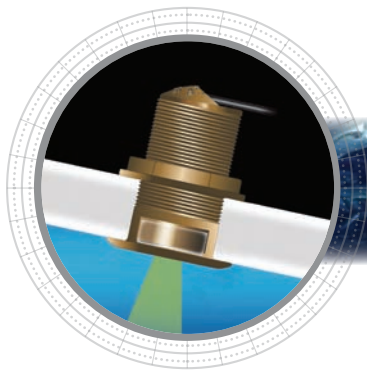
Features

- Depth only or Depth and temperature
- 200 kHz
- Bronze housing



Sensing Technology

www.airmar.com



Technical Information

200 kHz-U	
Number of Elements and Configuration	○
Beamwidth (@-3 dB)	11°
RMS Power (W)	375 W
TVR	164 dB
RVR	-185 dB
FOM	-22 dB
Q	22
Impedance	510 Ω

MAXIMUM DEPTH RANGE	
50 kHz	200 kHz
235 m to 353 m (800' to 1,200')	118 m to 206 m (400' to 700')

BEAM DIAMETER VS DEPTH		
Depth	50 kHz	200 kHz
9 m (30')	8 m (25')	2 m (6')
30 m (100')	25 m (83')	6 m (21')
122 m (400')	101 m (331')	26 m (84')
305 m (1,000')	252 m (828')	64 m (210')

SPECIFICATIONS
Weight: 0.6 kg (1.3 lb)
Hull Deadrise: Up to 24°
Acoustic Window: Urethane
Hole Diameter: 51 mm (2")

