

WatchMate External Alarm and Mute Switch Kit

P/N: 141005

Adjustable volume external alarm and marine durable switch to mute the alarm.
Kit includes an optional decal for thru panel mounting of the switch.



External Alarm

Rated voltage	10-32 VDC
Maximum voltage	32 VDC
Maximum current	35 mA
Frequency	2.9 kHz (+/- 0.5)
Configuration	Steady or pulsed sound (choose S or P terminal)
Sound pressure	85 steady, 80 pulse (dBA/30cm)
Volume adjustment	Twist front vane holes closed to reduce volume
Pulse rate	1 Hz (nominal)
Size	Diam: 43.5mm (1 3/4"), Height: 34.5mm (1 3/8")
Mounting hole	29mm (1 3/16")

To reduce the alarm volume, rotate the vane to close openings

To configure the sound type, connect either P or S to DC negative.
Do not connect both. Choose P for pulse or S for steady sound.

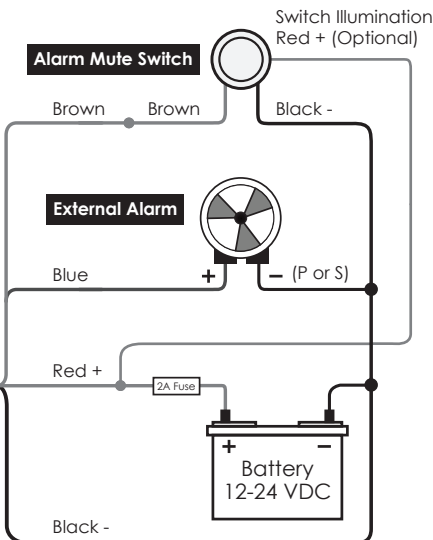
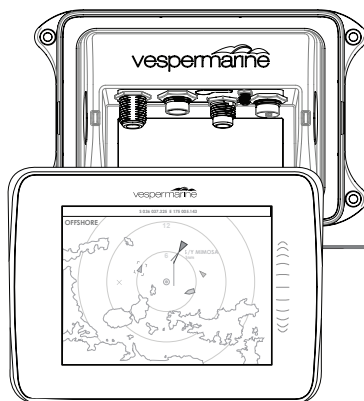


Alarm Mute Switch

Voltage Range	10-32 VDC
LED Color	Blue
Button & Body	304 Stainless Steel
Contact Material	Silver Alloy
Cable	150mm (6") Tinned
Panel Thickness	1~ 10mm
Operating Temp	-20C~ +55C
Insulation Resistance	≥ 1000MΩ
Contact Resistance	≤ 50mΩ
Degree of Protection	IP65

Switch is marked 24V and rated to 32V DC max. It is suitable for 12V and 24V systems.

Suitable for connection to
WatchMate XB-8000 and WatchMate
Vision smartAIS Transponders



vespermarine

INNOVATIVE MARINE AIS TECHNOLOGY

45 Sale St, Freemans Bay
PO Box 91164, Victoria Street West
Auckland 1142, New Zealand
+64 9 950 4848
www.vespermarine.com
support@vespermarine.com