

Product Information

www.vdo-marine.com

OceanLink Temperature Gauges

Description

The OceanLink 52mm gauges are connected directly to any OceanLink Master unit using the patented EasyLink serial bus connection. Up to 20 EasyLink gauges for each Master can be daisy-chained together. OceanLink Gauges have white and black dial version, which is always completed with bezel in identical colour. Optional Chrome bezel is available as decorative accessory.

Coolant Temperature



A2C1065950001



A2C1065980001



A2C1065970001



A2C10659900001

Engine Oil Temperature



A2C1065850001



A2C1065870001



A2C1065860001



A2C1065880001

Pyrometer



A2C1349690001



A2C1349700001



A2C1349710001



A2C1349730001

Available Gauges:

Gauge PN	Gauge Type	Colour	Measurement range	Diameter (mm)
A2C1065950001	Coolant Temperature	Black	120°C/250°F	52
A2C1065860001	Coolant Temperature	White	120°C/250°F	52
A2C1065980001	Coolant Temperature	Black	Cold/Hot	52
A2C10659900001	Coolant Temperature	White	Cold/Hot	52
A2C1065850001	Engine Oil Temperature	Black	150°C/300°F	52
A2C1065860001	Engine Oil Temperature	Black	150°C/300°F	52
A2C1065870001	Engine Oil Temperature	White	Cold/Hot	52
A2C1065880001	Engine Oil Temperature	Black	Cold/Hot	52
A2C1349690001	Pyrometer	White	900°C/ 1650°F	52
A2C1349710001	Pyrometer	White	900°C/ 1650°F	52
A2C1349700001	Pyrometer	Black	1650°F/ 900°C	52
A2C1349730001	Pyrometer	White	1650°F/ 900°C	52

Features

- AMP Superseal EasyLink connector
- < 100 mA
- Illumination: red pointer, white dial
- 240° pointer deflection angle
- Reverse polarity protection
- Plastic double lens anti-reflection
- 52 mm Installation Diameter
- Operating temperature range -20 °C / +70 °C
- Storage temperature range -30 °C / +85 °C

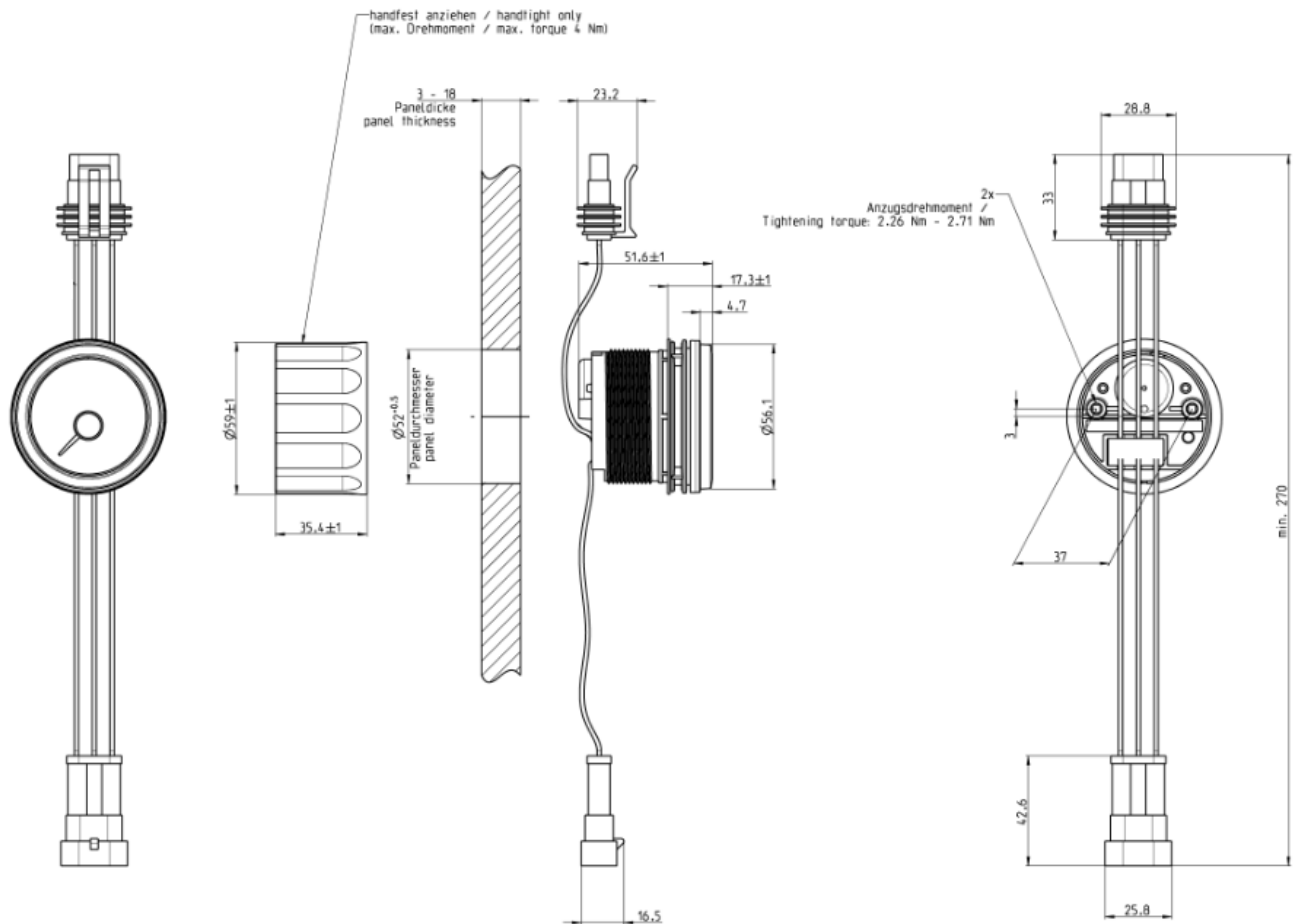
Technical Data	
Housing	Material: PBT- FR Bezel: Black, White
Dimensions	Installation Diameter: 52mm
Operating Voltage	9.0 -32 VDC
Current Consumption	<100mA
Operating Temperature	-20°C to +70°C
Storage Temperature	-30°C to +85°C
Nominal Position	NL 0 to NL 85; According to DIN 16257
Mounting/Fixing	Top or flush mount
Protection Class	IEC60945 exposed equipment Front: IPX5 extended Rear:IPX5
Flammability	UL94-V0
EMC	I DIN-EN 61000-6-2:2006 IEC 60945:2002/ISO7637-2
Reverse Polarity Protection	Yes
Short Circuit Protection	Yes, 1 minute
Approval	CE and RoHS

Connectors

AMP Superseal 3 Pol

Pin	Signal
1	EasyLink – Power
2	EasyLink – Data
3	EasyLink – GND

Mechanical Design



Accessories

Part Number	Item specifics
A2C1141440001	Round black bezel 52mm
A2C5336487001	Round chrome bezel, 52mm
A2C1352110001	Round white bezel, 52mm
A2C1650700001	EasyLink extension cable
A2C5205947101	Union Nut 52mm