

PRODUCT DESCRIPTION:

The Surge Protector will protect against transient pulses and surges from electrical/ electronic devices such as motors and pumps. It also protects against high energy surges such as an alternator load dump from a battery cable removal while under high charge currents.

Designed to meet ISO 7637 -1 (12V), ISO 7637 -2 & SAEJ1113-11.

There are versions for 12 & 24 volt systems.

The Surge Protector essentially 'Clamps' the voltage at 17V (12V system) or 35V (24V system).

The module is polarity sensitive and must be wired correctly to operate. It should be wired as near to the load as is practicable ie, after long cable runs & battery isolators etc.

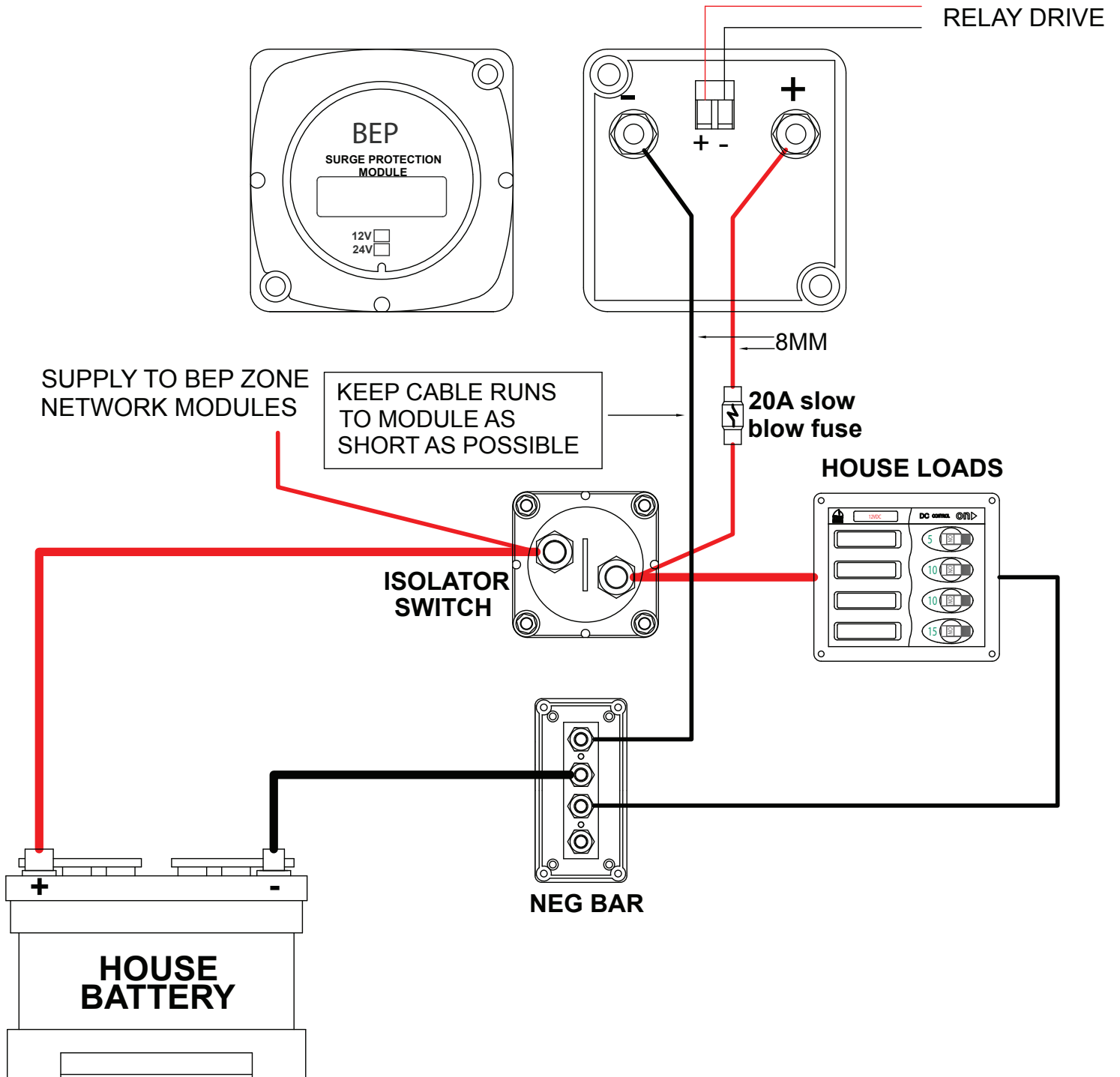
There is a 250mA relay output (at battery voltage) that is that latches on under high energy surges of >1-2ms and can be used to drive an LED indicator. The relay will latch when activated and will only reset after power is removed and reapplied.

The relay will not become active under transient pulses as they can occur frequently.

80-707-0004-00 - SURGE PROTECTOR

OWNERS INSTRUCTION MANUAL

80-707-0004-00 - WIRING DIAGRAM



BEP

LEADING ELECTRICAL DESIGN

Albany, Auckland N.Z.

Ph: +64 9 415 7261

Fax: +64 9 415 9327

www.bepmarine.com

E-mail: enquiries@bepmarine.com

MASTERVOLT
THE POWER TO BE INDEPENDENT

MARINCO®