

## N115F (1 x N115F)

### Clamp mount for KUM8XX and KUM9XX

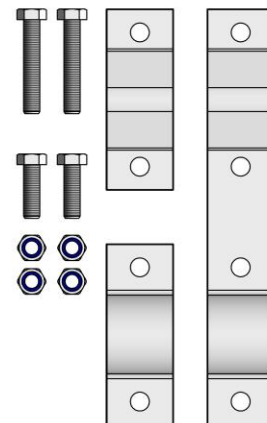
This mount is made for side mast or vertical rail mounting of the KUM8XX and KUM9XX antenna families.

N115F is a heavy duty stainless steel mount withstanding long term rough weather conditions at sea. The stainless steel is grade SS316 and electropolished for a better finish.

N115F contains 1 x N115F.

Each antenna requires two N115F mounts for secure installation.

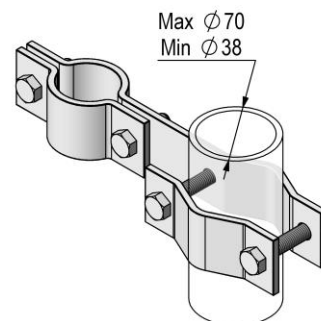
The mounting is quick and simple by means of the brackets and bolt sets.



#### Mechanical Specification

Material	Stainless steel (SS316)
Finish	Steel grey
Weight (kg/lbs)	1.75 / 3.9
Mounting method	Clamp mount
Antenna requirement (mm)	Ø40 radomes with sleeve
Pole size (mm/in)	38 to 70 / 1.5 to 2.8

#### Photo: 1 x N115F:

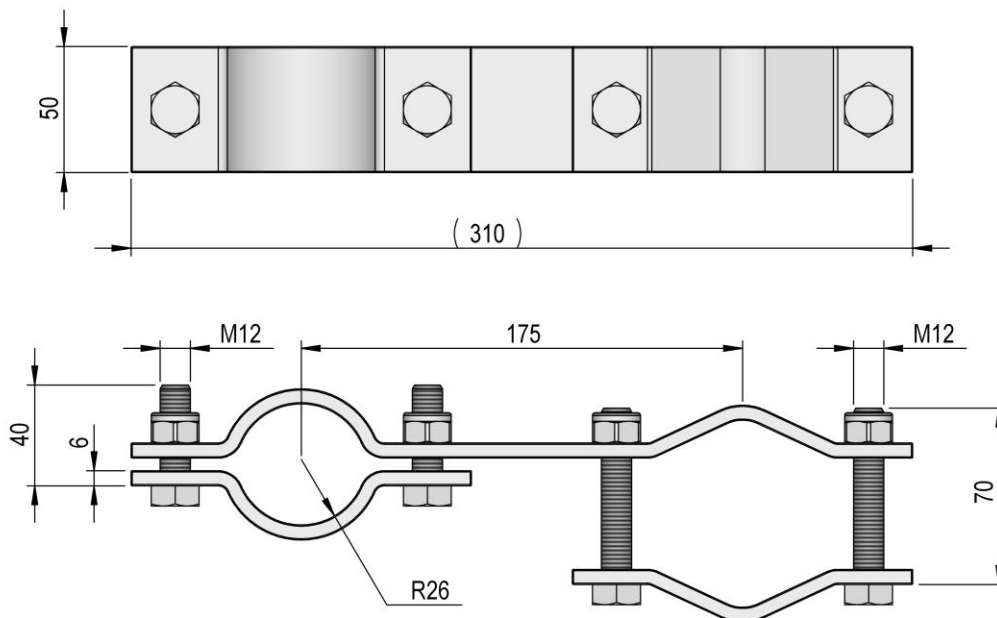


#### This part fits

This product is specifically designed for mounting of the following HF/SSB antenna families: KUM8XX and KUM9XX.

Two N115F are required per antenna.

Please see Installation Guide regarding installation.



**\*Anti-Sieze compound recommended for use on all stainless steel fasteners**

