



BROCHURE

ECHOPILOT

Forward Looking Sonar FLS Platinum Engine

Daniamant design and manufacture all of our products in line with the relevant worldwide approvals, technical specifications, current legislation and International directives.

Our mission is to achieve World class performance through partnerships with our suppliers, customers and employees, providing products and services that enhance the safety and security of our customers.

Daniamant products cover 12 key areas:

- Lifejacket Lights
- Liferaft Lights
- Lifebuoy Lights
- Intrinsically Safe Lights
 - Special Lights
 - LED Flares
- Forward Looking Sonars (FLS)
 - Bridge Navigational Watch Alarm System (BNWAS)
 - Salinometers
 - Oil Level Alarm
 - Electronic Inclinometer
- Agency for a range of world-renowned safety product brands (supplied to the Danish market)

Further Information

For further information on our products, please see our website: www.daniamant.com

Introduction

Daniamant is proud to present a new range of Forward Looking Sonar (FLS). EchoPilot's 'Black Box' sonar enables the modern yacht with integrated displays to add colour FLS with a minimum of fuss. Any chartplotter, radar, P.C. or screen with a video input can become a fully functional colour FLS.

FLS enables the skipper to enter strange harbours or difficult anchorages with the extra safety of a view of the sea bed and underwater obstructions ahead. Pilotage in unfamiliar or poorly charted waters, especially at night, becomes more relaxing.

EchoPilot's FLS uses an electronically controlled array to scan the sea bed from straight ahead through 90° to straight down, like an underwater radar.

Realtime FLS is a patented EchoPilot invention. This means that with the whole screen updating continuously should the boat turn towards an obstruction or bank this will appear almost immediately on the screen. (And will disappear as quickly when the boat turns towards safer waters).

Note that a steered transmit phased array system offered by some other manufacturers may take a considerable time to update a full 90° sector.

Features

- Composite Video Output
- Auto Gain Auto/Manual Range
- Max Range ahead 200m
- Max Range down 100m
- Digital Depth
- Speed Option
- Forward Alarm
- NMEA Input and Output
- S-video Output
- Colour Coded Echostrength



Video Interface Box



Transmitter Box



Professional Transducer



Keypad

Daniamant A/S
 Industrivej 24C
 3550 Slangerup
 Denmark

Tel +45 47 37 38 00
 Fax +45 47 37 38 09
 info@daniamant.com

Daniamant Ltd
 Unit 3, The Admiral Park
 Airport Service Road
 Portsmouth, PO3 5RQ
 United Kingdom

Tel +44 23 92 67 51 00
 Fax +44 23 92 67 51 01
 sales@daniamant.com

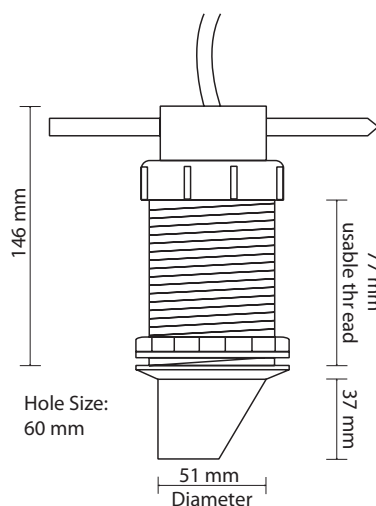
Standard Kit PLATINUM

- Video Box
- Keypad
- Power & NMEA cable
- Data Cable
- S Video cable (mini din)
- Composite video cable (phono)
- Transmitter box
- Pro Transducer
- Thru-hull pro skin fitting & blanking cap
- Shipping weight: approx. 4.5 kg

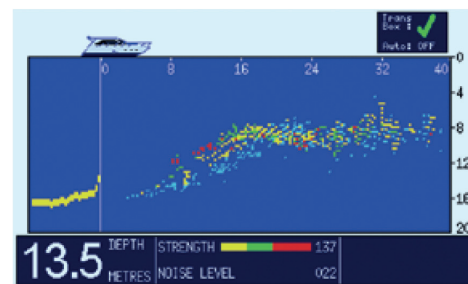
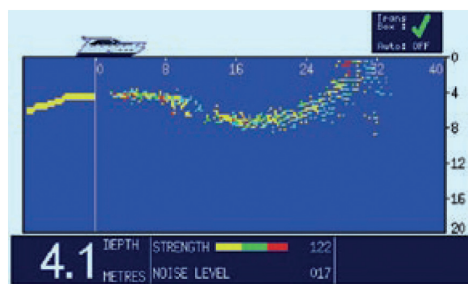
PLATINUM VIDEO

- Video Box
- Keypad
- Power & NMEA cable
- Data cable
- S Video cable (mini din)
- Composite Video cable (phono)
- Shipping weight: approx. 2.5 kg

Transducer



FLS Platinum Screen Shots



Third Party Screen Examples



Note: Screens are not included!