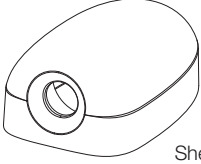
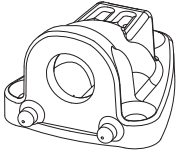

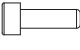





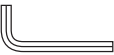


Parts List

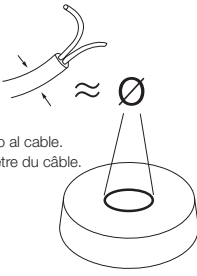
|   |  |  |
|---|--|--|
| <br>Shell x1                       | <br>Base x1 | <br>Gasket x1 |
| <br>M4X12 Bolt - (Black*) x1       | Self Drill 2mm 3mm 4mm 5mm 6mm   | <br>Bungs x6 |
| <br>No. 4X16 self tapping screw x3 |  |  |

Tools Required


|   |  |
|---|--|
| <br>Pozi Screwdriver   | <br>Silicone                |
| <br>ø2.5mm (3/32")<br>ø3mm (1/8")<br>ø10mm (25/64")<br>Drill Bit | <br>3mm (1/8")<br>Allen Key |

① Choose bung closest to cable ø.

DE - Wähle Dichtung nahe dem Kabel ø.  
IT - Scegliere il passafili adatto al ø del cavo.  
ES - Elija el tapón con el diámetro más parecido al cable.  
FR - Choisissez le joint le plus proche du diamètre du câble.



Tip: freeze before drilling

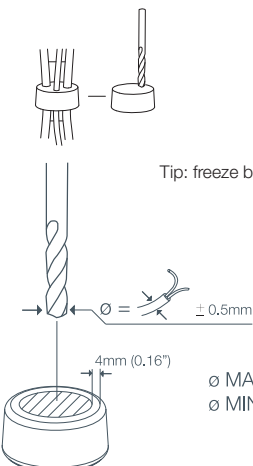
 -18°C

± 0,5mm

4mm (0.16")

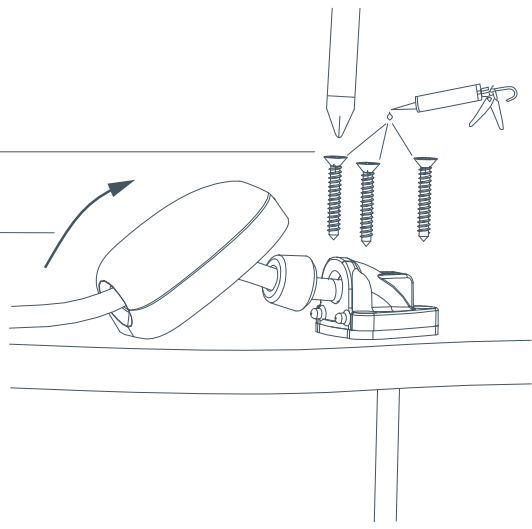
ø MAX. 10mm (0.39")  
ø MIN. 2mm (0.07")

1a

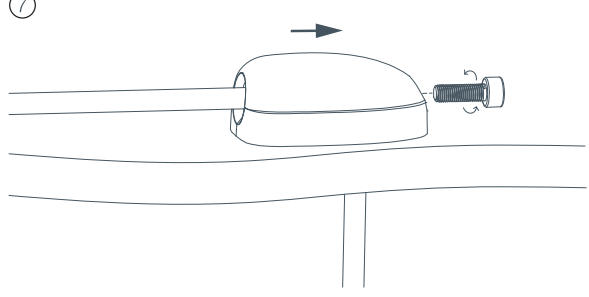


⑤

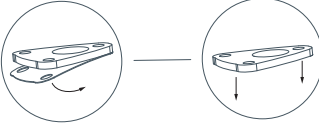
⑥



⑦



②

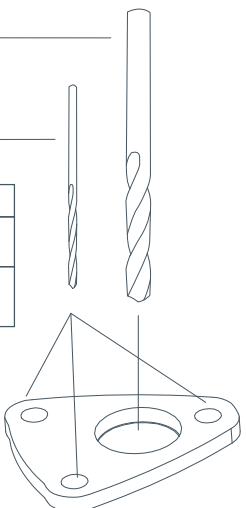


③ 10mm (0.39")

④

Suggested pilot holes:

| Material  | No. 4 Screw      |
|---|------------------|
| Soft Material<br>e.g. plywood                           | 2mm<br>(5/64")   |
| Hard Material<br>e.g. fiberglass,<br>acrylic, hardwoods | 2,5mm<br>(3/32") |



Share your installation with us.



UK & International  
+44 (0)1392 531280  
sales@scanstrut.com

For further installation  
and warranty information  
please visit:  
www.scanstrut.com

USA  
+1 860 308 1416  
usasaless@scanstrut.com

**SCANSTRUT®**