

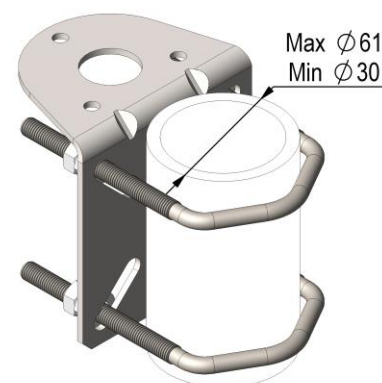
N171F

Angle bracket for mast mount

N171F is a universal mast mount for mounting pipe $\varnothing 30-61$ mm. It is a very versatile pole mount with installation friendly front mount. The bracket fits both horizontal and vertical pipes and. N171F includes a mounting 1"-14 TPI nut/washer set.

Mechanical Specification

Material	Stainless Steel (SS316)
Finish	Polished
Weight (g/lbs)	575/1.27
Mounting method	Mast mount
Thread	1"-14 TPI



This part fits

This product fits all AC Antennas products with an external 1"-14 TPI thread, such as the CX4-3 and CEL3B-2.

