

NEW

ST900/ST950

High-Performance Speed/Temperature Sensor

Speed performance has been taken to the next level with the introduction of the ST950 Speed/Temperature sensor. Featuring the new Gen2 Paddlewheel, the ST950 out-performs all other paddlewheel sensors for responsive startup and linearity. The Gen2 Paddlewheel begins delivering accurate speed reporting as low as 0.3 knots and maintains smooth speed output through 45 knots.



Gen2
PADDLEWHEEL

The plastic, bronze, and stainless-steel outer housing options are compatible with all hull types. These low-profile housings are nearly flush and minimize drag with only 5 mm (3/16") extending outside the hull. The housing has a valve assembly that helps to minimize water ingress in the bilge when the sensor is removed for routine maintenance of the paddlewheel.

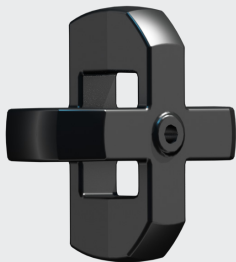
Features

- Speed and fast-response water-temperature
- Best-in-class speed range from 0.3 to 45 knots (.34 to 52 MPH/.55 to 83 KPH)
- Analog output
- Retractable insert in a low-profile plastic, bronze or stainless-steel housing with a water valve
- ST900—Retrofits into Airmar P120 and B120 housings
- ST950—Retrofits into Airmar P17 and B17 housings

SPECIFICATIONS

Weight:	Plastic—0.7 kg (1.4 lb.) Bronze—1.3 kg (2.8 lb.) Stainless Steel—1.6 kg (3.5 lb)
Speed Range	0.3 to 45 knots (.34 to 52 MPH/ .55 to 83 KPH)
Pulse Rate	5.7 Hz per knot
Pressure Rating	3 m (10')
Supply Voltage	9 to 16 VDC
Supply Current	<200 mA
Standard Cable Length	9 m (30')
Temperature Sensor Accuracy	±0.5°C (±1.8°F)
Temperature Sensor Range	-10° to 40°C (14° to 104°F)
CE Regulation	Complies to IERC60945
Includes	Blanking plug

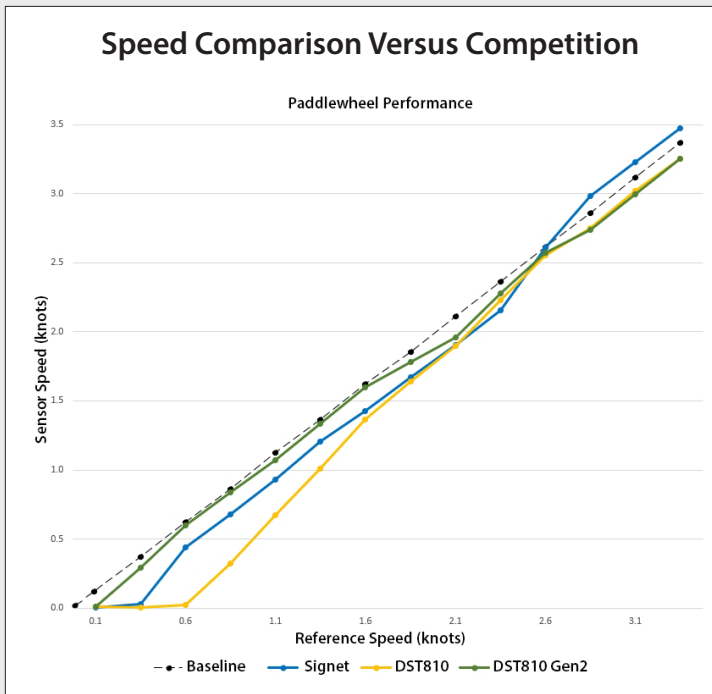
Introducing the Paddlewheel That Sets the Standard for Performance



Airmar's new, next-generation paddlewheel design delivers industry-leading performance for start-up responsiveness and linearity throughout the speed range. Gen2 paddlewheel maintains the top speed performance Airmar is known for and adds start-up speed performance that beats all other available paddlewheels. The Gen2 paddlewheel is the most sensitive and accurate paddlewheel available for sailing and power boats.

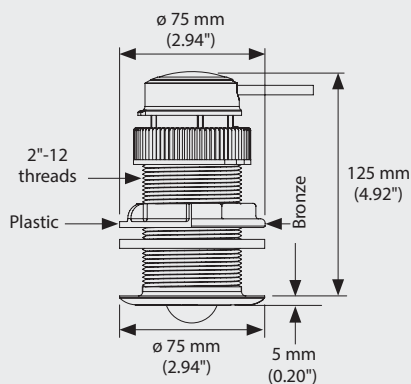
Key benefits of the new Gen2 paddlewheel include:

- Ultra-responsive speed begins as low as 0.3 knots and becomes linear at 0.6 knots.
- Speed-through-water readings stay accurate and smooth through 45 knots.

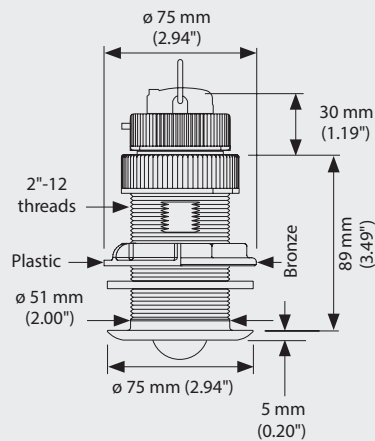


DIMENSIONS

ST900
P120 Plastic, B120 Bronze



ST950
P17 Plastic, B17 Bronze



www.airmar.com

©2021 AIRMAR Technology Corporation

ST900/ST950_DS_rC 08/11/22

As AIRMAR constantly improves its products, all specifications are subject to change without notice. All AIRMAR products are designed to provide high levels of accuracy and reliability, however they should only be used as aids to navigation and not as a replacement for traditional navigation aids and techniques. Other company or product names mentioned in this document may be trademarks or registered trademarks of their respective companies, which are not affiliated with AIRMAR.

