

N285F

4-way mount

N285F is a chrome brass four-way ratchet mount for installation on any flat surface. The handle allows quick and easy antenna tilt if needed. It is equipped with a feed through hole for RG58C/U cable. Screw set included.

Mechanical Specification

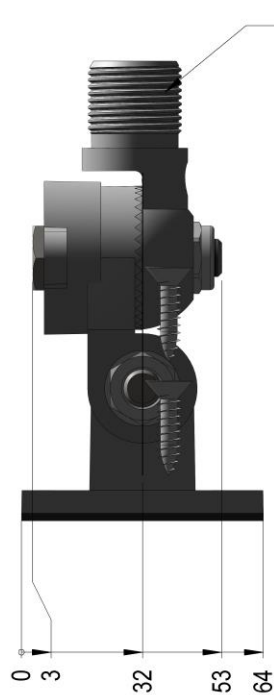
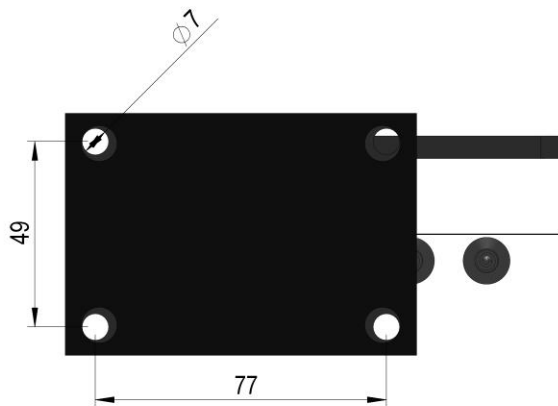
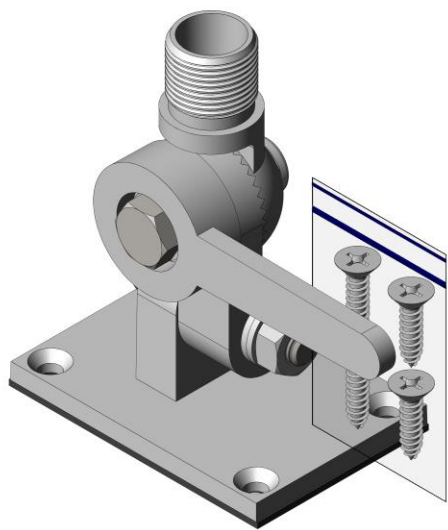
Material	Chrome Brass
Finish	Polished
Weight (g/lbs)	985/2.17
Mounting method	Deck and bulkhead mount, ratchet
Thread	1"-14 TPI, external



This part fits

This product fits all AC Antennas products with an internal 1"-14 threads, such as the CELmar4, FAME2 and KUM481.

The need for upper support is specified on each antenna datasheet.



1"-14 TPI UNS

