

4

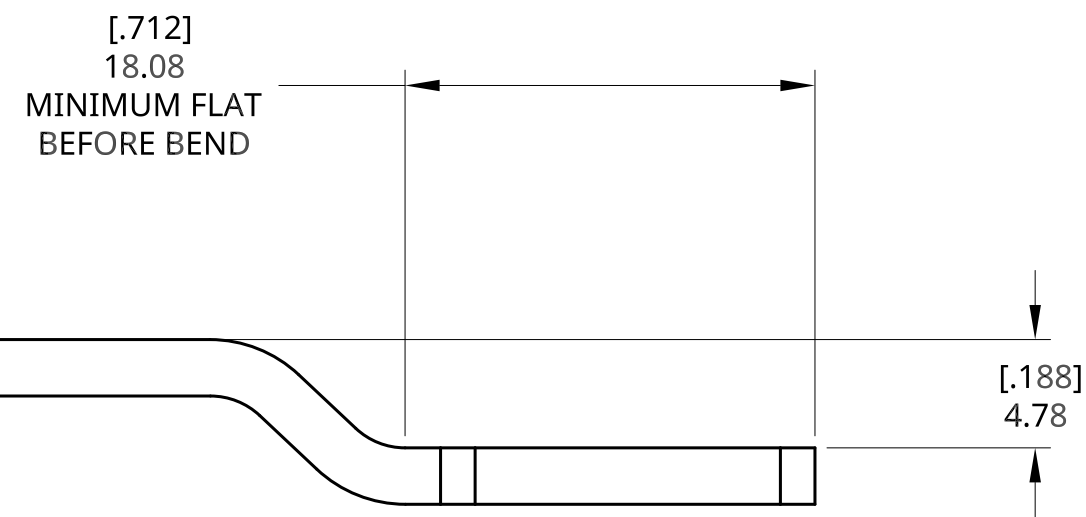
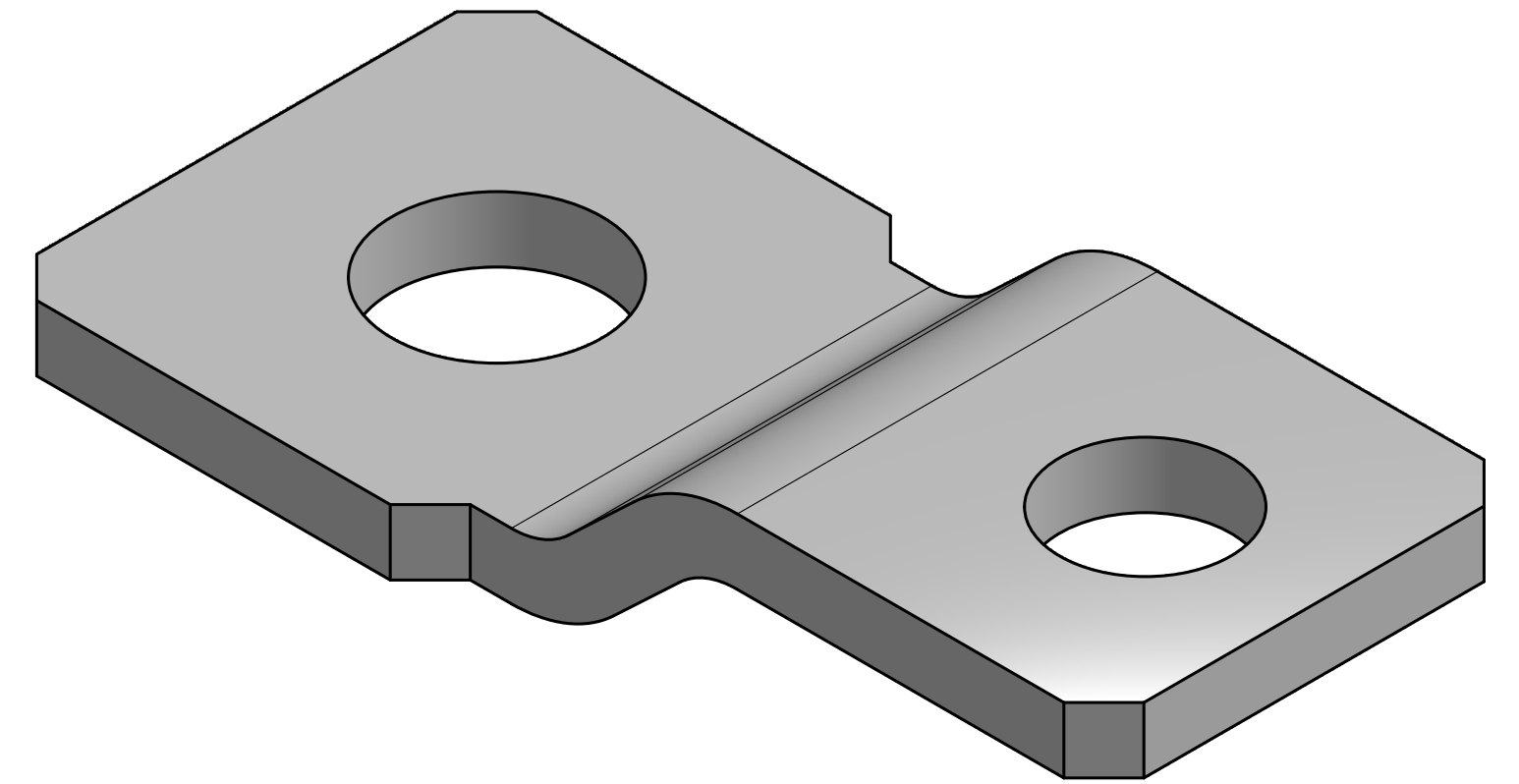
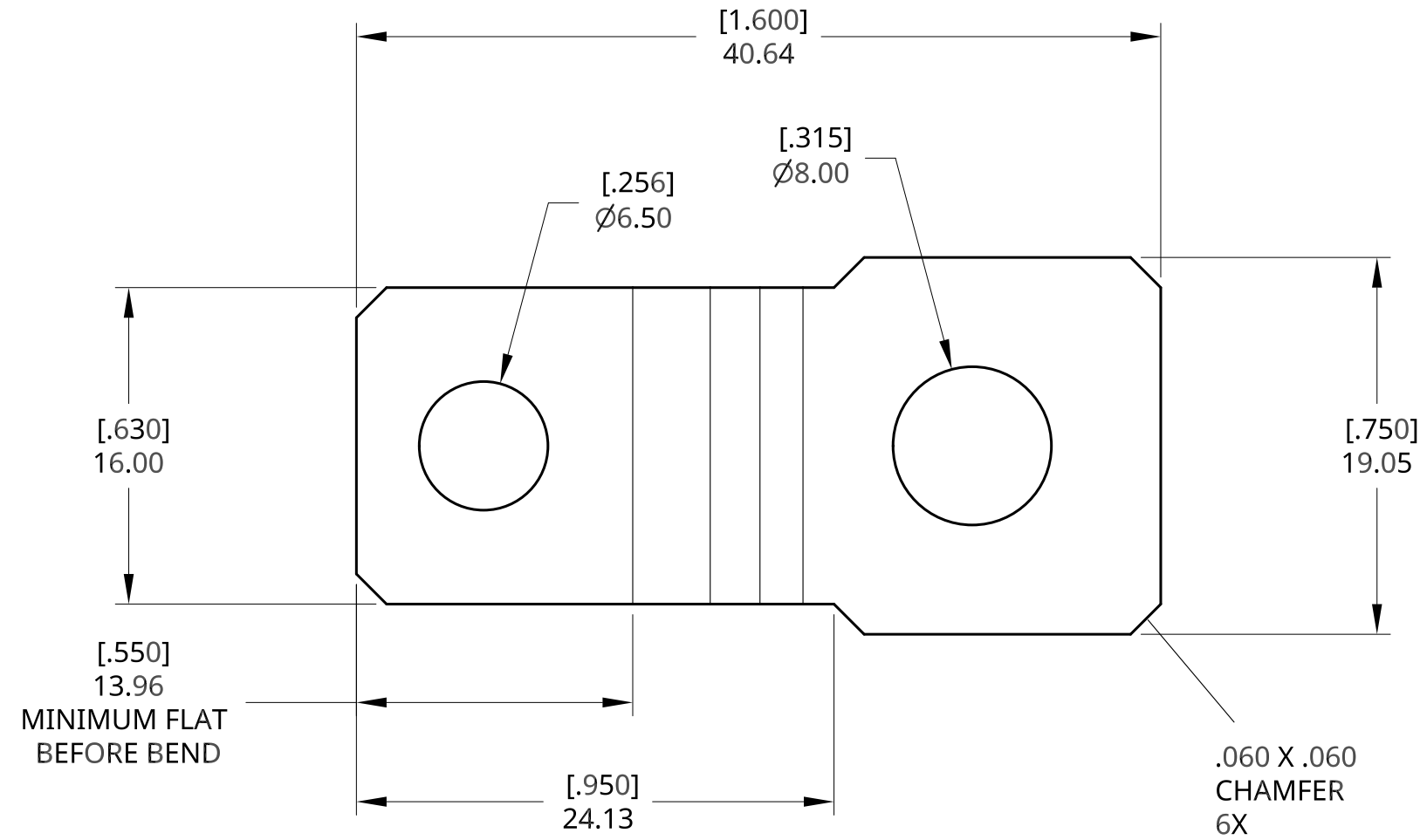
3

2

1

REVISIONS				
ZONE	REV.	DESCRIPTION	DATE	APPROVED

SCALE 3:1



SCALE 3:1

NOTES:

1. MATERIAL: COPPER C110 ELECTRICAL TOUGH PITCH
2. PLATING: BRIGHT TIN PLATE
3. ALL SHAR EDGES TO BE DE-BURRED

UNLESS OTHERWISE SPECIFIED, DIMENSIONS ARE IN MILLIMETERS .XX = ±.13 .XXX = ±.050	DRAWN	B Gbad	04/14/2019	 Egis Mobile Electric 3135 Mercer Ave, Ste 102 Bellingham, WA 98225, USA
	CHECKED			
SURFACE FINISH	APPROVED			TITLE
DO NOT SCALE DRAWING				901466 : OFFSET BUSBAR 3/16", COPPER, TIN PLATE
BREAK ALL SHARP EDGES AND REMOVE BURRS				SIZE
THIRD ANGLE PROJECTION				C
 THIS DRAWING AND THE INFORMATION CONTAINED WITHIN IT ARE CONFIDENTIAL AND MAY NOT BE COPIED OR DISCLOSED WITHOUT THE WRITTEN PERMISSION OF EGIS MOBILE ELECTRIC.	SCALE	NTS	WEIGHT	
	SHEET	1 of 1	REV.	

4

3

2

1

D

C

B

A