

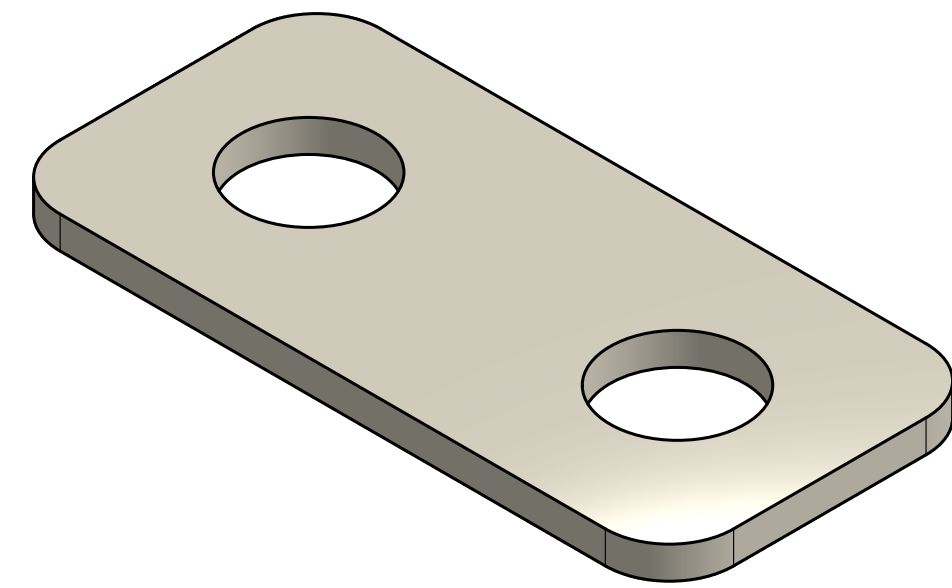
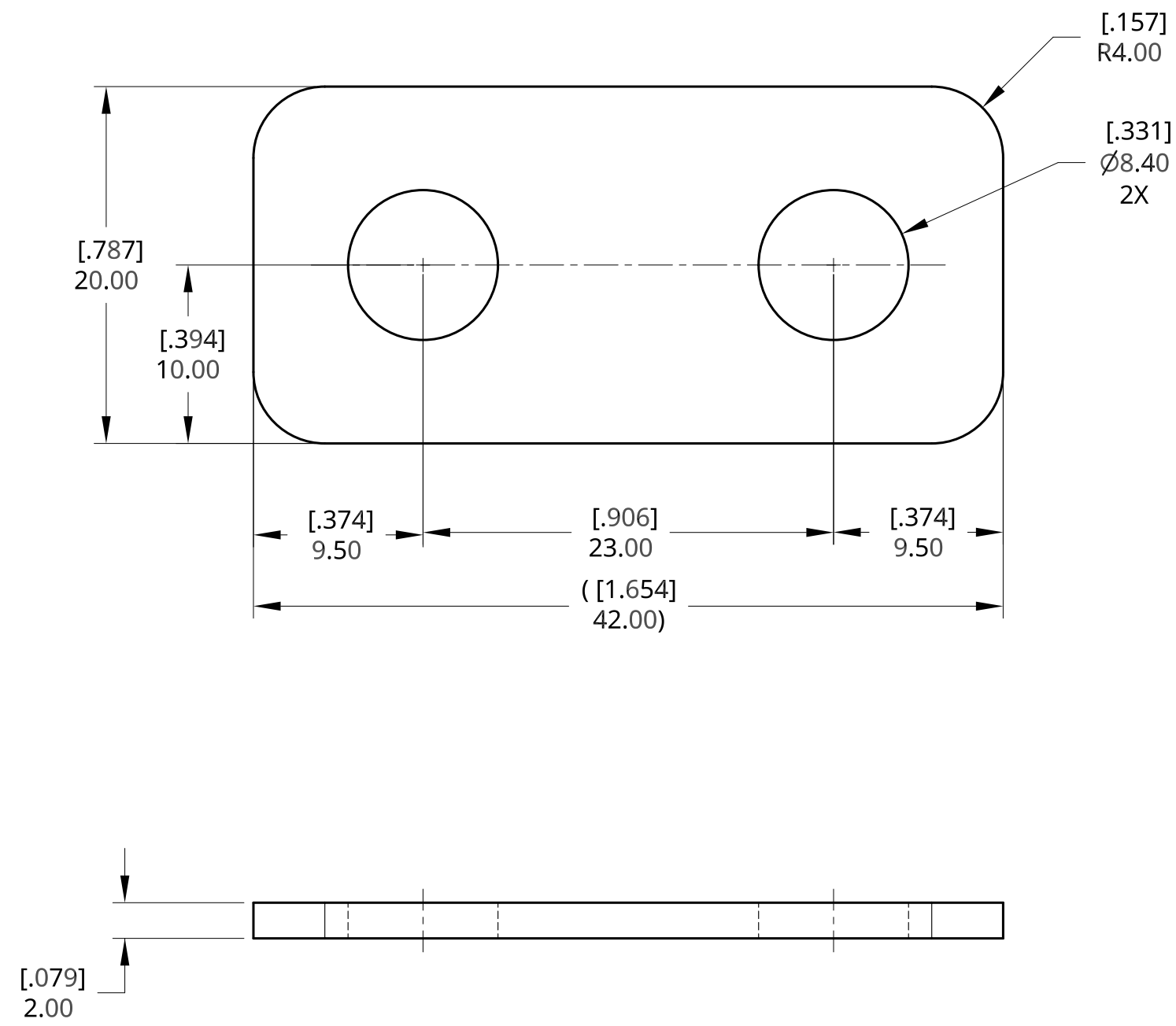
4

3

2

1

REVISIONS				
ZONE	REV.	DESCRIPTION	DATE	APPROVED



NOTES:

- MATERIAL: COPPER CDA 110
- PLATING: TIN PLATE PER MIL-T-10727, MATTE

UNLESS OTHERWISE SPECIFIED, DIMENSIONS ARE IN MILLIMETERS .XX = ±.13 ANGULAR = ± ° .XXX = ±.050 FRACTIONAL = ±	DRAWN	Justin Kaufman	9/27/2018	 Egis Mobile Electric 3135 Mercer Ave, Ste 102 Bellingham, WA 98225, USA
	CHECKED			
	APPROVED			
	TITLE: Busbar, TH2 / 8+2 Series Connection, Bulk Pack			
SURFACE FINISH DO NOT SCALE DRAWING	THIRD ANGLE PROJECTION	THIS DRAWING AND THE INFORMATION CONTAINED WITHIN IT ARE CONFIDENTIAL AND MAY NOT BE COPIED OR DISCLOSED WITHOUT THE WRITTEN PERMISSION OF EGIS MOBILE ELECTRIC.		SIZE: C DWG NO.: 901262 REV: A
BREAK ALL SHARP EDGES AND REMOVE BURRS		SCALE: NTS	WEIGHT	SHEET: 1 of 1

4

3

2

1

D

D

C

C

B

B

A

A