

**Protects** weapons from theft due to break-in, vehicles left unlocked inadvertently or due to an emergency.

**Prevents** hot-wiring of gun release button by optionally removing power to weapons release button after defined time delay, triggered by vehicle shut down.

**Variable** time delay weapon release ensures exact timing required by agencies per each unique installation situation.

**Simple Installation** does not require ignition switched input signal to operate but rather a single 24 Hr power feed from Bat +.



*Related Product: 7616 Dual Output TDR*



- 
**Ultra-Low Power Draw** ensures device will never drain batteries if vehicle is left parked for extended periods of time.
- 
**Adjustable OFF and Weapons Release Time Delays:** 15 minutes to 2 hour OFF delay (if enabled). 6 to 20 sec weapons release duration.
- 
**Bulletproof Compact Construction:** Sealed unit, high temperature materials allow mounting anywhere on vehicle. Integrated thermal overload protection
- 
**Meets Stringent OEM Standards** for electrical transient self-protection
- 
**4 Year Industry Leading Warranty**

# Dip Switch Setting Options & Features

<b>6</b>	<b>VOLT SENSE</b>	<b>5 4</b>	<b>TIME DELAY</b>
<input type="checkbox"/>	<b>ON</b>	<input type="checkbox"/>	<b>2 hr</b>
<input type="checkbox"/>	<b>OFF</b>	<input type="checkbox"/>	<b>1 hr</b>
<b>FACTORY SETTINGS</b>		<input type="checkbox"/>	<b>30 m</b>
		<input type="checkbox"/>	<b>15 m</b>

<b>3 2 1</b>	<b>3 2 1</b>
<input type="checkbox"/>	<b>12 s</b>
<input type="checkbox"/>	<b>10 s</b>
<input type="checkbox"/>	<b>8 s</b>
<input type="checkbox"/>	<b>6 s</b>
<input type="checkbox"/>	<b>20 s</b>
<input type="checkbox"/>	<b>18 s</b>
<input type="checkbox"/>	<b>16 s</b>
<input type="checkbox"/>	<b>14 s</b>

### LOCK DELAY

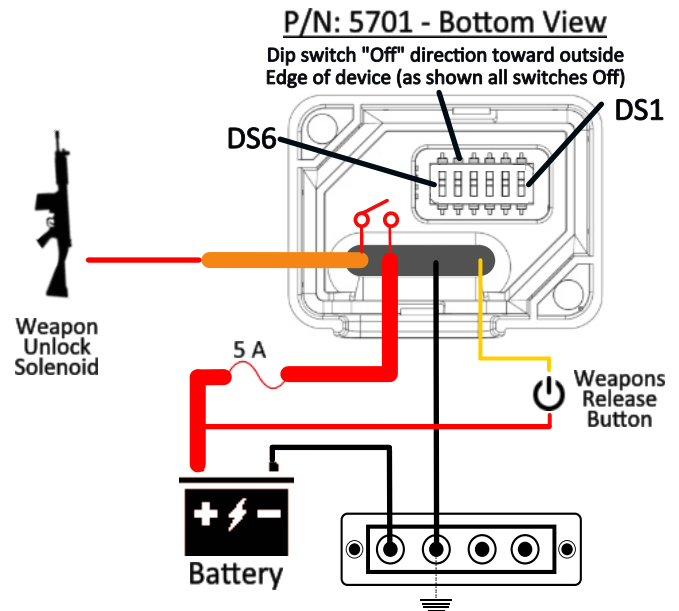
**\* DISCONNECT BATTERY FROM POWER DISTRIBUTION SYSTEM BEFORE INSTALLING PRODUCT TO PREVENT ELECTRICAL SHOCK OR PRODUCT DAMAGE**

**DS1-DS3:** Determines delay time between Weapons Release Button Enable Event event and Relay turning OFF (disabling weapons release), per table above.

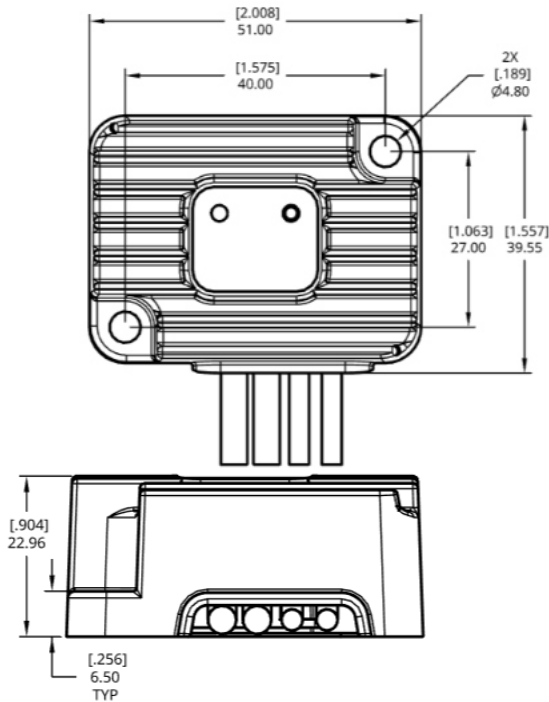
**DS4-DS5:** Determines Time Delay only if DS6=ON, if V-Input sense goes from > 12.9 Vdc to < 12.7 Vdc, will start time delay count, after which weapons release button will be locked-out.

**DS6:** If ON, the voltage being sensed on the input line will act as a trigger to enable Weapons Release Button and initiate a Time Delay per DS4-DS5 after which Weapons Release Button would be locked-out. If DS6=OFF, Weapons Release Button is constantly enabled.

# System Diagram



# Dimensions



# Specifications

Nominal Voltage (Vdc)	12
Input Voltage Range (Vdc)	8.0-18.0
Max Continuous Current (Amps)	30
Installed ATO Fuse (Ampere)	5
ON Voltage Threshold	12.9
OFF Timing Trigger Voltage Threshold	12.7
Low Voltage Protection (Vdc)	10.5
Over Voltage Protection (Vdc) (15 sec)	17.0
Operating Current (mA) On	15
Standby Current (mA) Standby / Open	1.3
Power Input Wire Size (Red)	12 AWG / 18 in.
Output Wire Size (Orange)	12 AWG / 24 in.
Release Button Wire Size (Yellow)	18 AWG / 24 in.
Ground Wire Size (Black)	18 AWG / 24 in.
Housing Material	Glass-Filled Polycarbonate
Min Source Current (Yellow Wire)	10 micro-Amps

# Methods of Operation

Relay closes (releases gun lock) if:

- 1) Input Wire V\_sense > ON Voltage Threshold and Button Input Signal > 8.0 Vdc, or
- 2) Input Wire V\_sense < ON Voltage Threshold for < T-Activation Delay time duration and Button Input Signal > 8.0 Vdc, or

Relay opens (stops releasing gun lock) if:

- 1) T-Button Delay reached, after release of +Vdc Button signal or

Relay ignores +Vdc Button signal if:

- 1) V\_sense = On and Input Wire V\_sense < ON Voltage Threshold for > T-Activation Delay time duration.

# Part Numbers

Resell Pack Bulk Pack

Advanced Gun Lock Timer w/Lockout	5701	5701B
-----------------------------------	------	-------

\* Custom configurations available including control harness wires, time delays, voltage settings, dip switch functionality, and control input functionality. Low minimum quantities and short lead time for samples or production. Contact us at support@egismobile.com for more information



www.egismobile.com  
360.768.1211  
Bellingham, WA U.S.A

