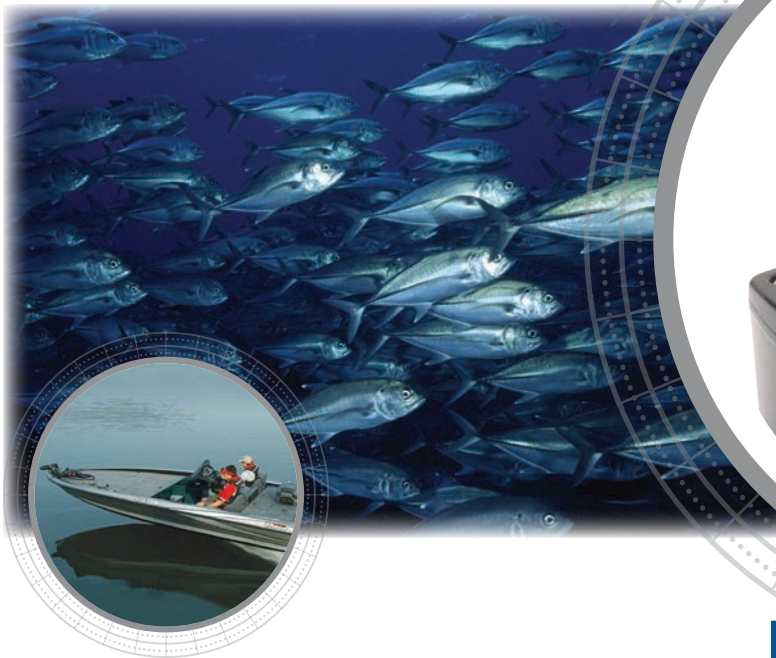


P48W



Looking to Catch More Fish?

The new P48W transom-mount is designed for tournament-circuit freshwater bass fishermen. The ultra-wide 38° wide-beam will mark more fish, giving you that tournament winning edge. See things in wide-screen on your fishfinder like a bass attacking your spinner bait as you quickly reel it back to the boat. The highly sensitive ceramic—the heart of the P48 can easily show changes in bottom composition which can help locate spawning beds where defensive bass might be lurking. The P48's innovative design allows you to change the transducer beam direction on the fly based on specific fishing conditions. When the beam is in the default port-starboard position, a wide 38° x 12° beam will mark more fish and bait to the port and starboard of the boat. Turn the beam to the bow-stern position, and the 12° x 38° beam will detect changes in bottom composition as you search along rocky bottom, sandy bottom, or weed beds in search for that ten pounder. Widen the possibilities of both your fishfinder and a tournament win with the P48W.

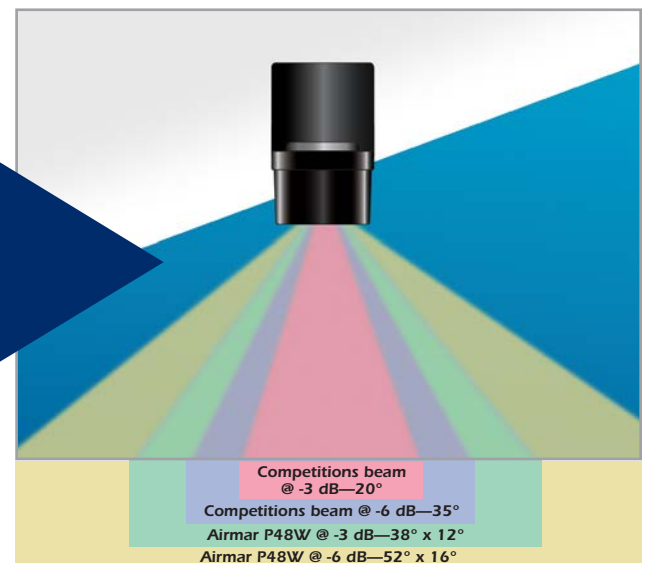
Wider Than The Competition

No matter how you measure transducer beamwidth, the P48 is wider than the competition. Airmar measures transducer beamwidth at -3 dB. Other transducer manufacturers measure their beams at -6 dB and -10 dB, giving the false impression of a wider beam.

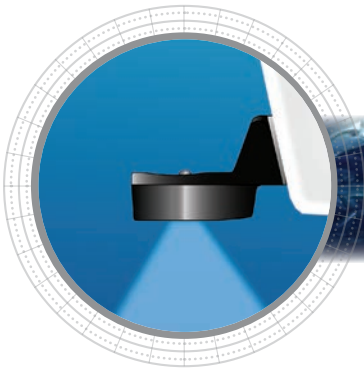
Transom-Mount Adjustable Wide-Beam

Features

- The widest transom-mount transducer on the market
- True 38° x 12° beam that is measured at -3 dB
- Depth and temperature, 200 kHz operation
- Compatible with mid-range, 200 kHz models from Lowrance, Raymarine, Garmin, and Humminbird
- Maximum Depth: 122 m (400')
- Transom or trolling-motor mounting options
- Boat Size: Up to 12 m (40')



Sensing Technology



Technical Information

200 kHz	
Number of Elements and Configuration	□
Beamwidth (@-3 dB)	38° x 12°
RMS Power (W)	100 W (800 W Peak-to-Peak)
TVR	153 dB
RVR	-192 dB
FOM	-39 dB
Q	6
Impedance	1,100 Ω

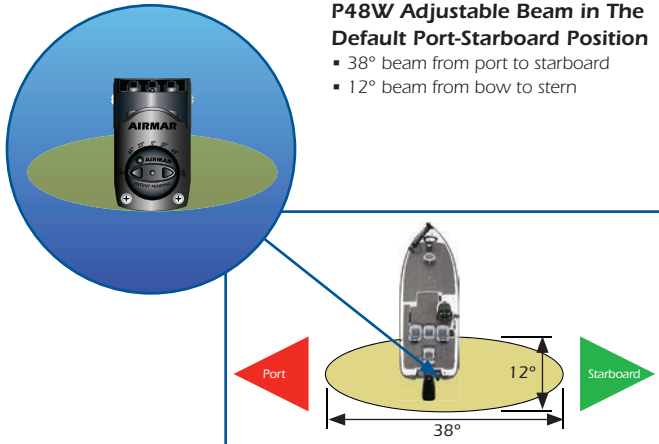
MAXIMUM DEPTH RANGE	
200 kHz	
	122 m
	(400')

BEAM DIAMETER VS DEPTH	
Depth	200 kHz
9 m (30')	2 m x 6 m (6' x 21')
30 m (100')	6 m x 21 m (21' x 69')
122 m (400')	26 m x 84 m (84' x 276')

TRANSDUCER COMPARISON			
Model	Power	Rating	Performance Increase
P48W	100 W	Good	Benchmark model for comparison
P66	600 W	Good	6 times more sensitive at 50 kHz 2 times more sensitive at 200 kHz

P48W Adjustable Beam in The Default Port-Starboard Position

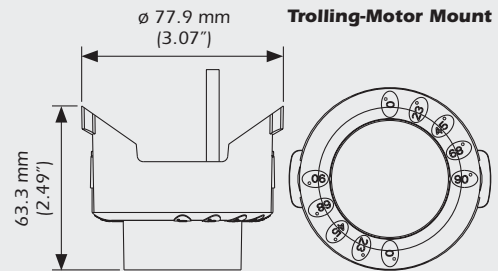
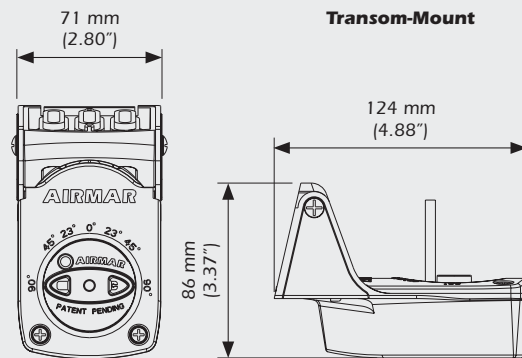
- 38° beam from port to starboard
- 12° beam from bow to stern



SPECIFICATIONS

- Weight:** 0.45 kg (1 lb)
- Hull Deadrise:** up to 28°
- Acoustic Window:** Urethane

DIMENSIONS



P48W Adjustable Beam in The Bow-Stern Position

- 38° beam from bow to stern
- 12° beam from port to starboard

