




 **Replaces Manual Battery Switches:** Reduces battery cable run lengths and resulting voltage drop

 **Connect to Ignition Signal** for simple battery charge management between two batteries or for simple auxiliary load disconnection.

 **Connect to TH Series Automatic Charging Relays or Time Delay Relays** to provide an additional isolated/switched output or to extend current carrying capability

 **Simple & Robust Installation:** Sealed MX-150 plug/harness with 2 ft control wires included. Reduces install time/costs. Optional output bus bar provides simple and compact connection to RT or CT fuse block product families.

 **Optional Deutsch DT/AT Connector Output** supports an industry standard for marine and commercial vehicle.

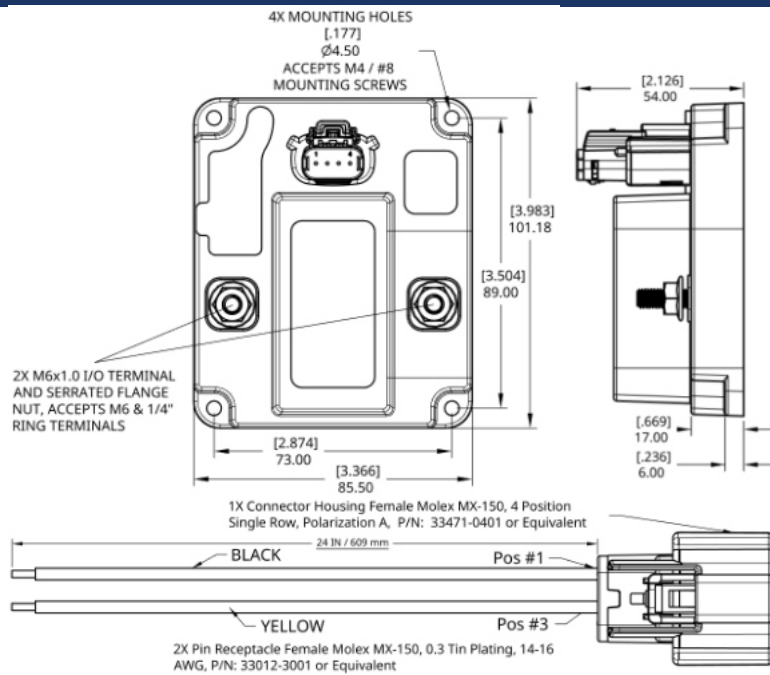
 **Bullet-proof Construction:** Sealed unit, high temperature materials allow mounting anywhere on vehicle. Stainless steel self-locking hardware

 **Single or Dual Split Output Options** provide flexibility for different electrical system requirements

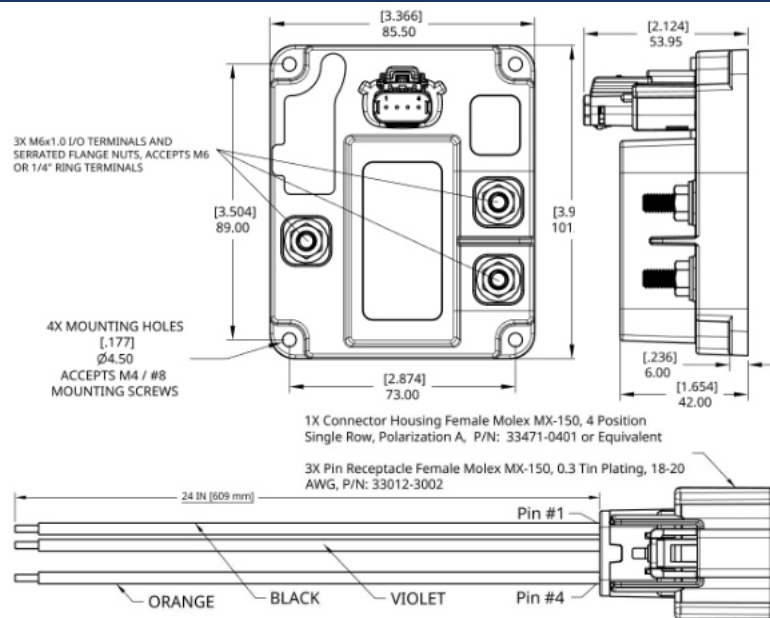
 **Integral Diode Suppression** reduces voltage spikes on control lines during switching

 **Lifetime Satisfaction Guarantee**

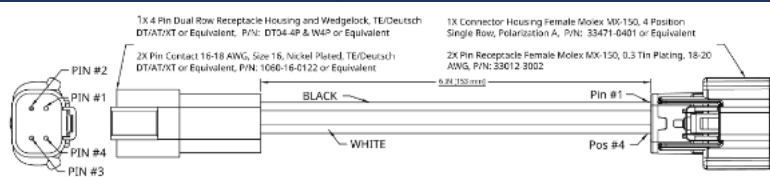
## Dimensions - 7421 / 7421B / 7421-24 / 7421-24B



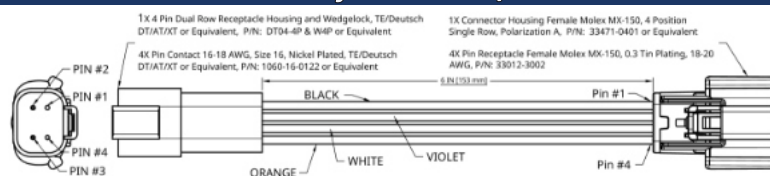
## Dimensions - 7422 / 7422B / 7422-24 / 7422-24B



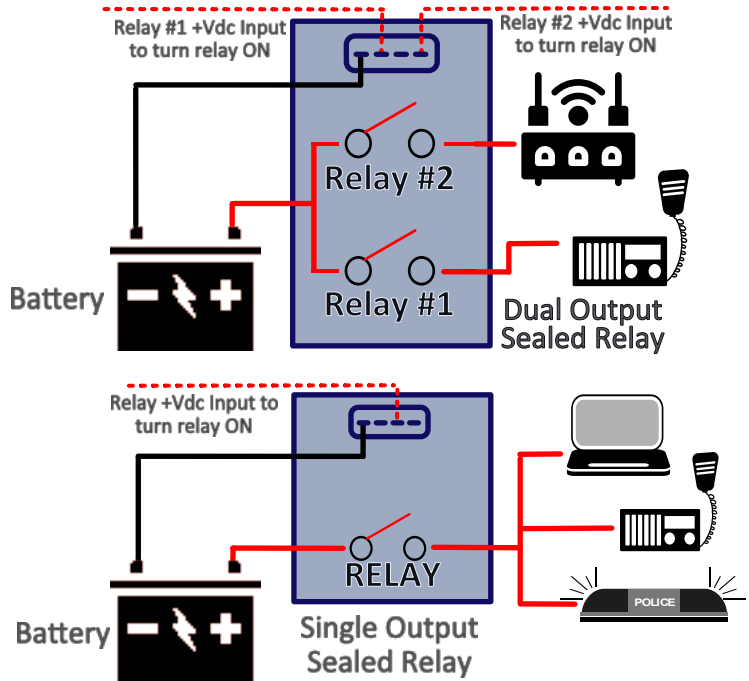
## Harness Substitution for 7421D / 7421-24D



## Harness Substitution for 7422D / 7422-24D



## System Diagrams - Single / Dual Output



## Specifications - Single Pole

Nominal Voltage (Vdc)	12	24
Input Voltage Range (Vdc)	8.0-17.0	16.0-34.0
Continuous Current (Amps)	160	
Operating Current (Amps)	0.340	0.170
Max 5 Min Current (Amps)	240	
I/O Cable Size to Meet Ratings	1/0 AWG	
Maximum Cable Size	2/0 AWG	
Hardware Material	Stainless Steel Self-Locking	
Terminal Stud Torque	80 in-lbs	

## Specifications - Double Pole

Nominal Voltage (Vdc)	12	24
Input Voltage Range (Vdc)	8.0-17.0	16.0-34.0
Continuous Current (Amps)	80 A Per Output	
Operating Current Per Circuit (Amps)	0.170	0.085
Max 5 Min Current (Amps)	120 A Per Output	
Input Cable Size to Meet Ratings	1/0 AWG	
Output Cable Size to Meet Ratings	6 AWG	
Maximum Cable Size	2/0 AWG	
Hardware Material	Stainless Steel Self-Locking	
Terminal Stud Torque	80 in-lbs	

Part Numbers	Retail	Bulk	Bulk DT/AT Connector
12V Relay, 160 Amp	7421	7421B	7421D
24V Relay, 160 Amp	7421-24	7421-24B	7421-24D
12V Dual Relay, 2X 80 Amp	7422	7422B	7422D
24V Dual Relay, 2X 80 Amp	7422-24	7422-24B	7422-24D
DT/AT Series Full Harness	4607-1001D		

\* Custom product configurations available including stud sizes, control harness wires. Low minimum quantities and short lead time for samples or production. Contact us at support@egismobile.com for more information